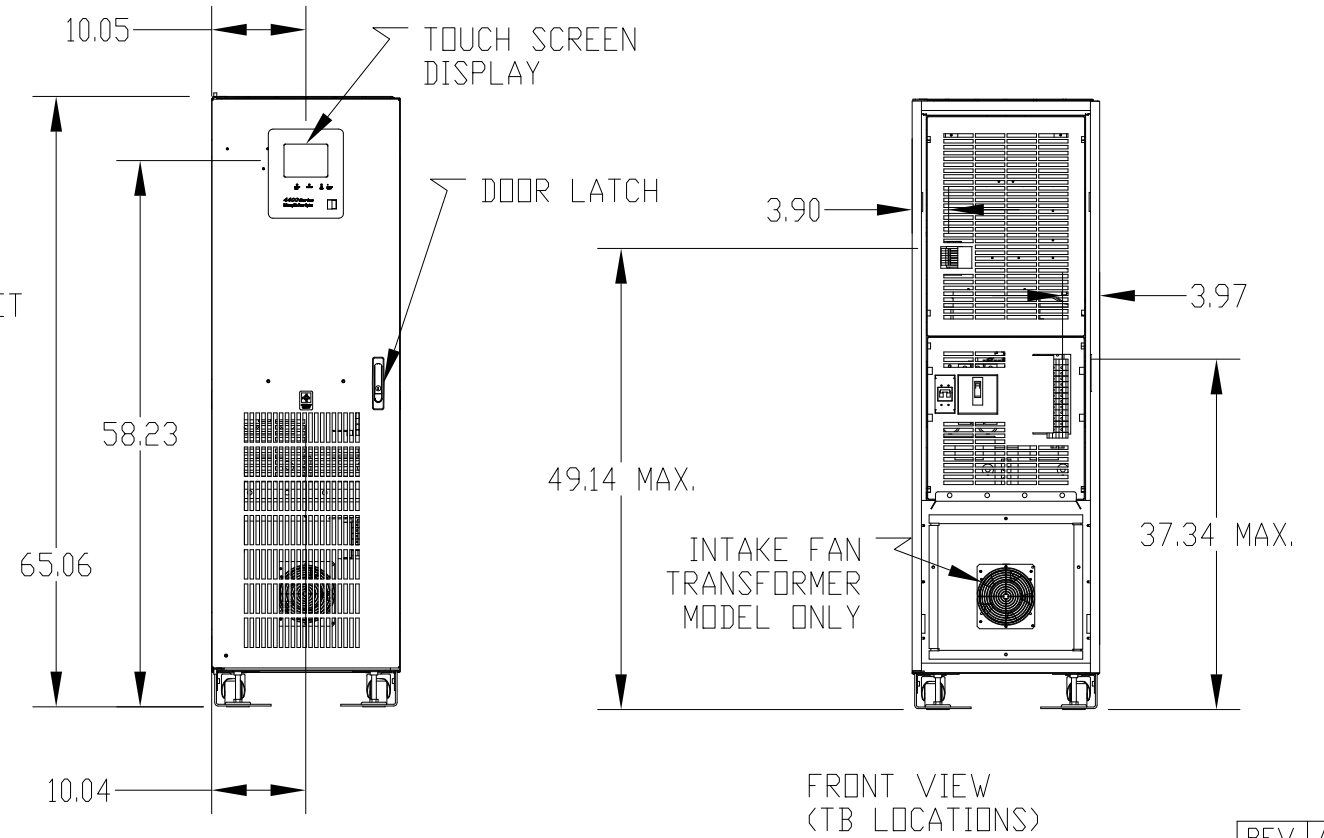
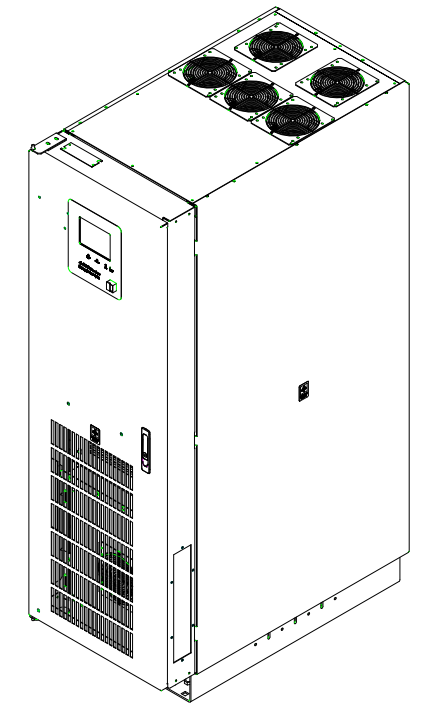
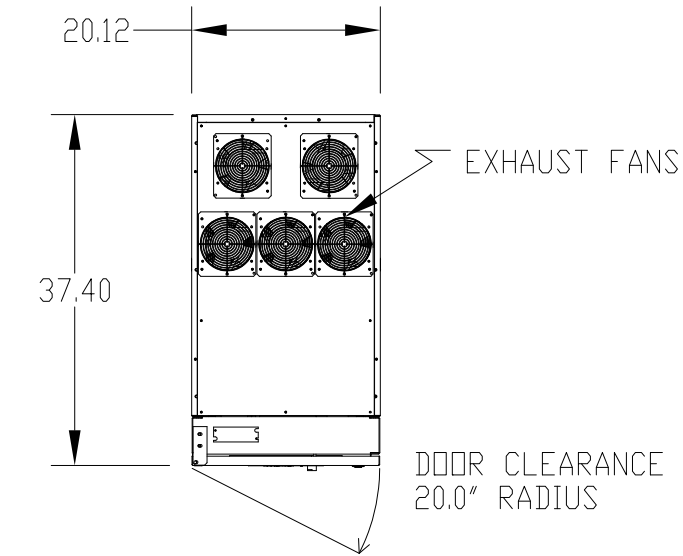
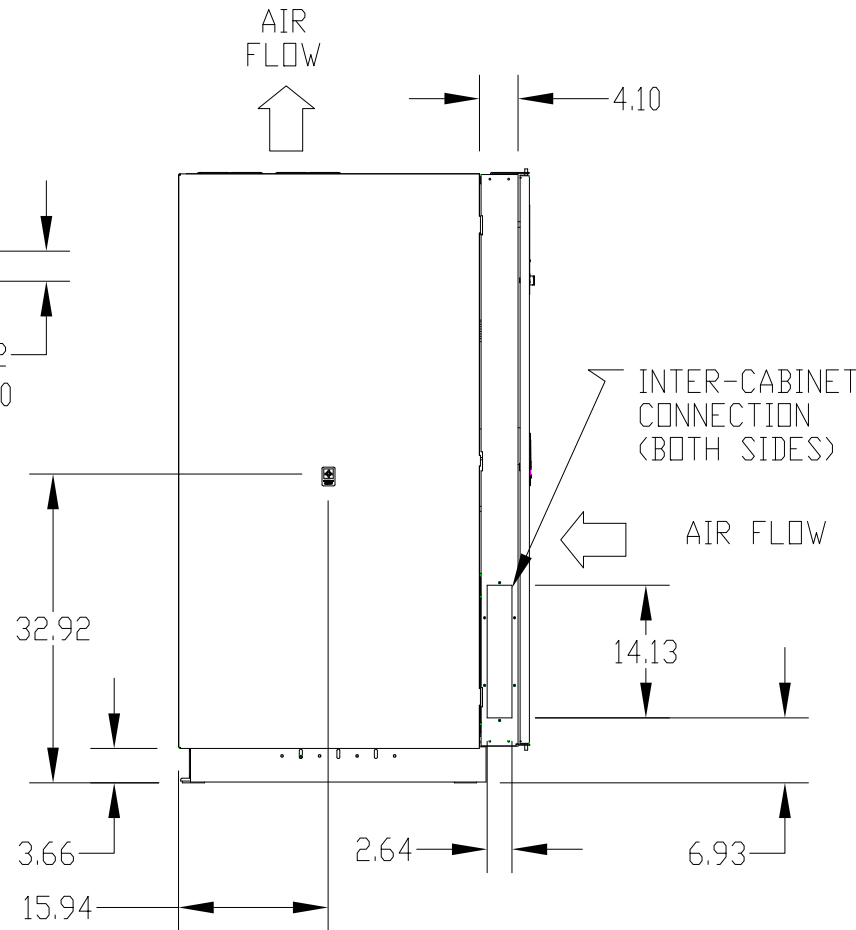
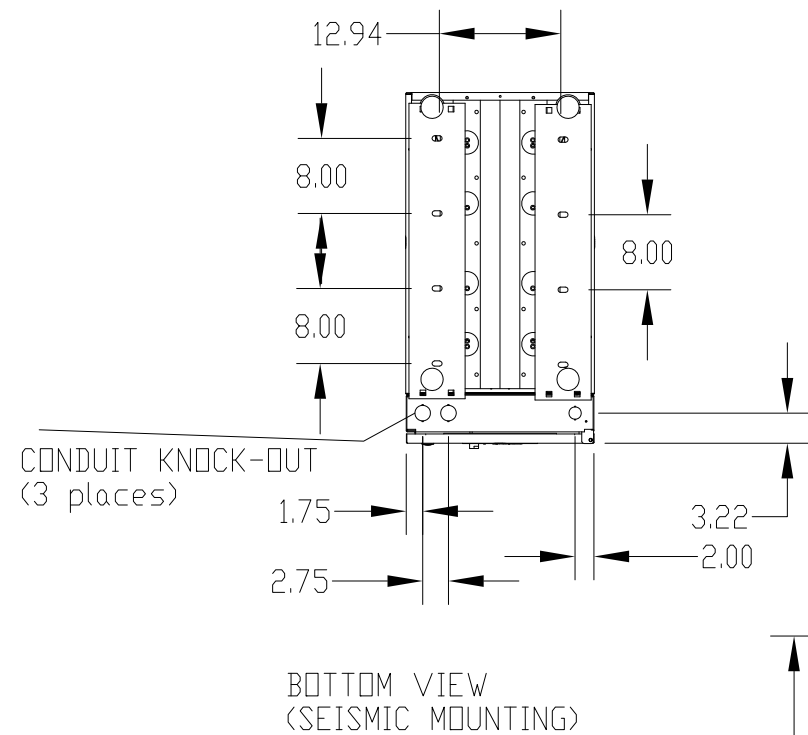


PARAMETERS	30/25/20/15 KVA
UNIT WEIGHT (LBS/KGS)	1135 / 515 max 675 / 306 min
VENTILATION REQTS.	FRONT 44"; TOP 16"
FINISH	O'BRIEN BLACK OR WHITE GRAY

NOTE:
1. SEE MANUAL FOR COMPLETE SPECIFICATIONS.
2. UNCONTROLLED DOCUMENT AND SUBJECT TO CHANGE WITHOUT NOTICE.



TOLERANCE:
.XX TO ±.03
.XXX TO ±.015
.XXXX TO ±.005

DRAWN BY: WLM		DATE: 07-Oct-13	THIS MATERIAL IS THE EXCLUSIVE PROPERTY OF TOSHIBA INTERNATIONAL CORPORATION AND SHALL NOT BE REPRODUCED, USED OR DISCLOSED TO OTHERS UNLESS PRIOR WRITTEN AUTHORIZATION IS OBTAINED.	TITLE: PRODUCT LAYOUT 4400 15-30KVA UPS	SCALE: 1/20	ORDER NO.	REV: A
CHECKED BY: ZIR		DATE: 07-Oct-13			DRAWING NO.: 4400_30_15KVA	SH. 1	DF 1
APPROVED BY: WLM		DATE: 08-Oct-13			TOSHIBA INTERNATIONAL CORPORATION 13131 WEST LITTLE YORK ROAD, HOUSTON, TX, 77041 U.S.A.		