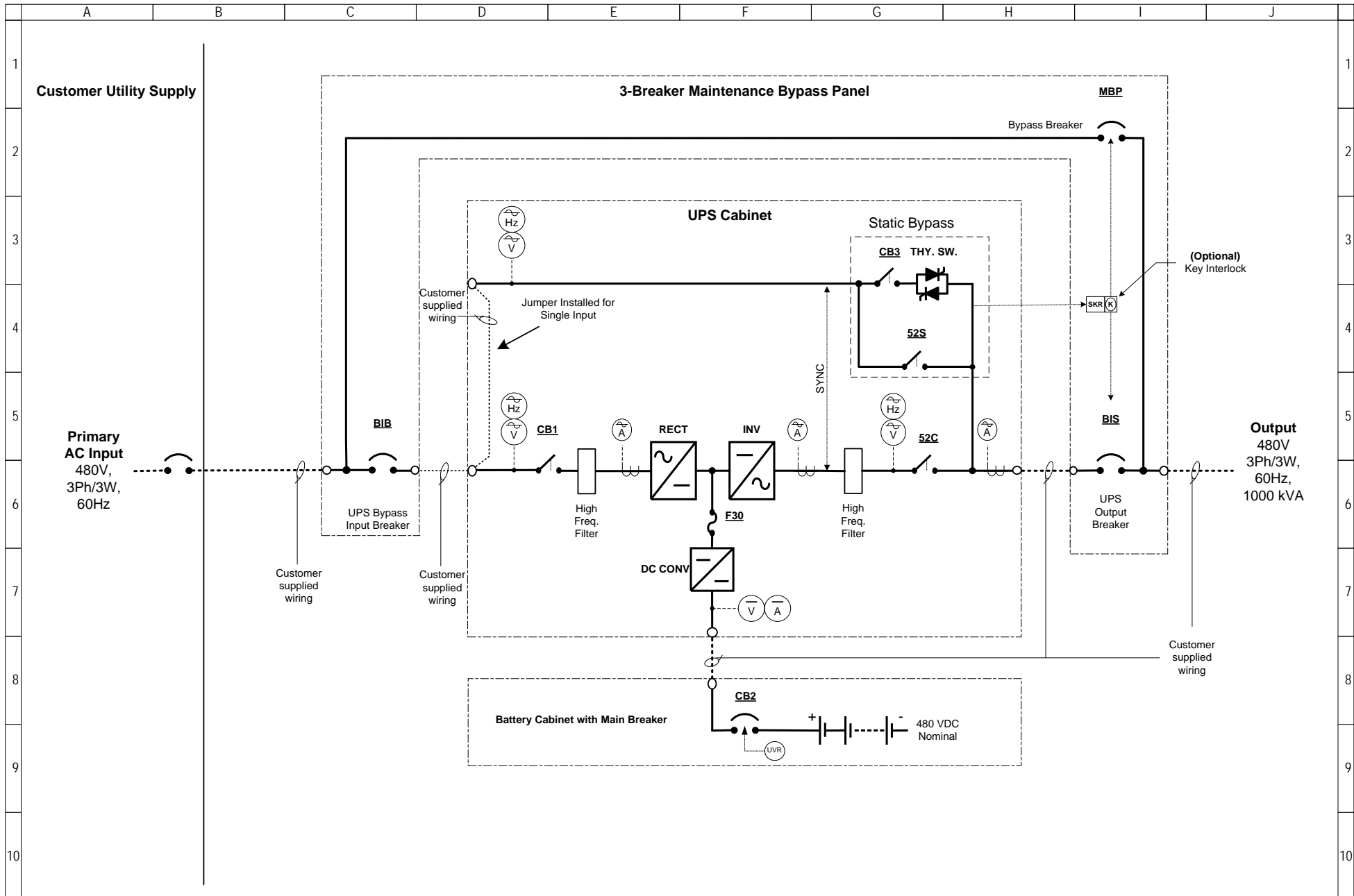
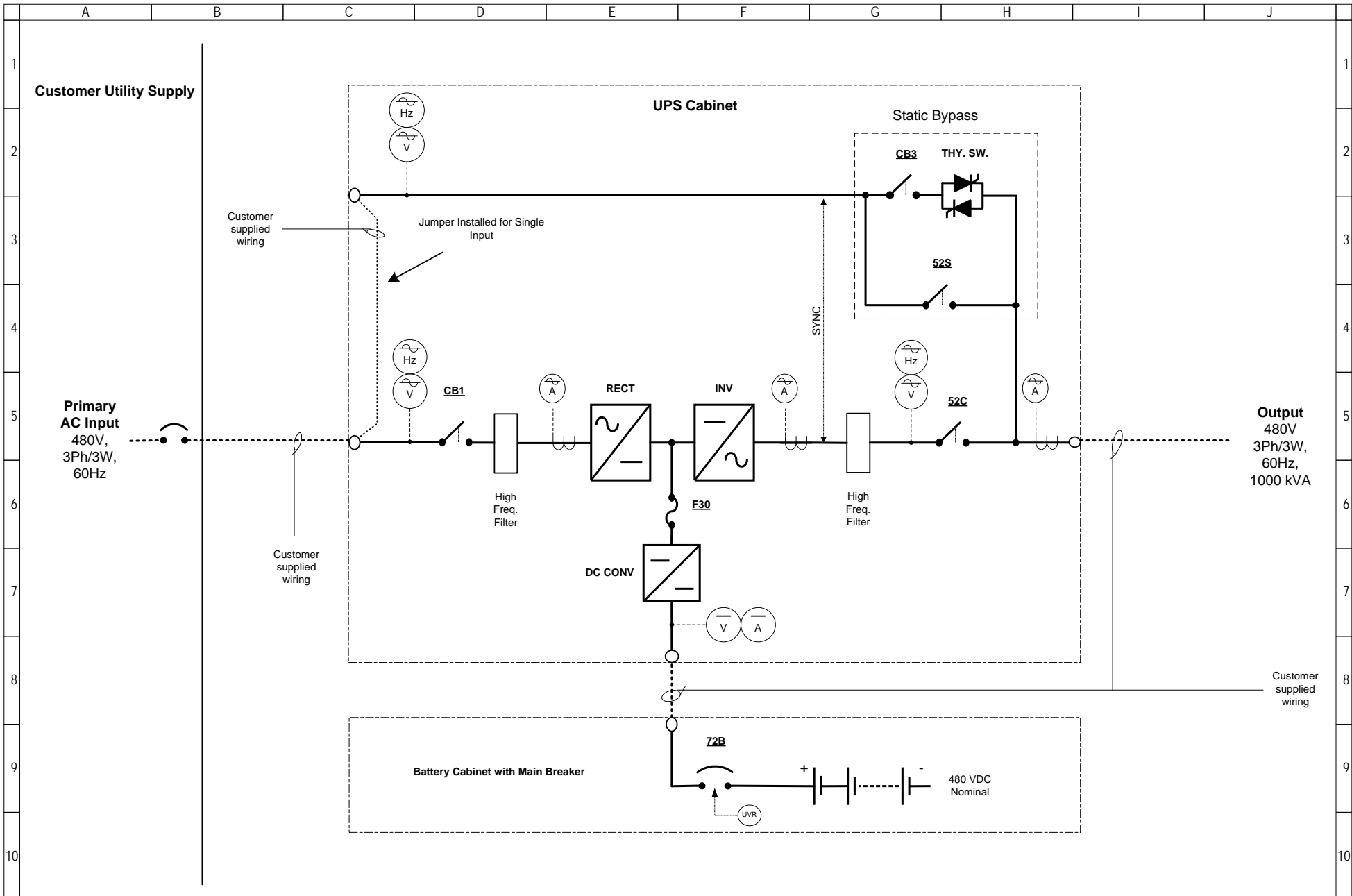


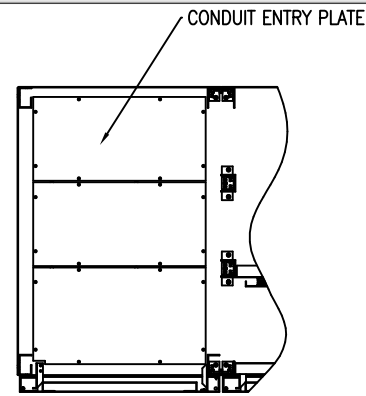
<p><b>NOTES</b></p> <p>1) This drawing is for illustration purposes only and is subject to change without notice. TIC is not responsible for any errors or omissions.</p>	<p>Drawn by EKM Date 4/10/14 Approved by</p>	<p align="center"><b>TOSHIBA</b> INTERNATIONAL CORPORATION Houston Texas, USA</p> <p>THIS MATERIAL IS THE EXCLUSIVE PROPERTY OF TOSHIBA INTERNATIONAL CORPORATION AND SHALL NOT BE REPRODUCED, USED, OR DISCLOSED TO OTHERS UNLESS PRIOR WRITTEN AUTHORIZATION IS OBTAINED.</p>	<p>TITLE</p> <p align="center">One-Line Diagram 1000 kVA <b>G9000 Series</b> UPS 480V Dual Input, 480V Output, with External 3-Breaker Bypass Panel</p> <p>DRAWING NO. T90S3S01MS6XSN-E3-DI</p> <p>REV. 0.0</p>
---	--	---	---



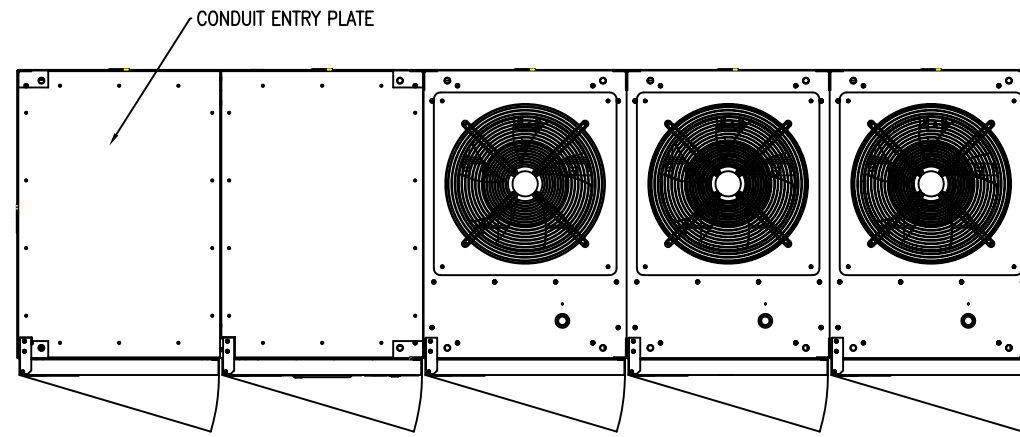
<p><b>NOTES</b></p> <p>1) This drawing is for illustration purposes only and is subject to change without notice. TIC is not responsible for any errors or omissions.</p>	<p>Drawn by EKM Date 4/10/14 Approved by</p>	<p><b>TOSHIBA</b> INTERNATIONAL CORPORATION Houston Texas, USA</p> <p>THIS MATERIAL IS THE EXCLUSIVE PROPERTY OF TOSHIBA INTERNATIONAL CORPORATION AND SHALL NOT BE REPRODUCED, USED, OR DISCLOSED TO OTHERS UNLESS PRIOR WRITTEN AUTHORIZATION IS OBTAINED.</p>	<p>TITLE One-Line Diagram 1000 kVA <b>G9000 Series</b> UPS 480V Single Input, 480V Output, with External 3-Breaker Bypass Panel</p> <p>DRAWING NO. T90S3S01MS6XSN-E3-SI</p> <p>REV. 0.0</p>
---	--	--	---



<p><b>NOTES</b></p> <p>1) This drawing is for illustration purposes only and is subject to change without notice. TIC is not responsible for any errors or omissions.</p>	<p>Drawn by EKM Date 3/10/14 Approved by</p>	<p style="text-align: center;"><b>TOSHIBA</b> INTERNATIONAL CORPORATION Houston Texas, USA</p> <p style="text-align: center;">THIS MATERIAL IS THE EXCLUSIVE PROPERTY OF TOSHIBA INTERNATIONAL CORPORATION AND SHALL NOT BE REPRODUCED, USED, OR DISCLOSED TO OTHERS UNLESS PRIOR WRITTEN AUTHORIZATION IS OBTAINED.</p>	<p>TITLE</p> <p style="text-align: center;">One-Line Diagram 1000 kVA <b>G9000 Series</b> UPS 480V Single Input, 480V Output</p> <hr/> <p>DRAWING NO. T90S3S01MS6XSN</p> <p>REV. 0.0</p>
---	--	--	--



BOTTOM CABLE ENTRY  
CROSS SECTION A-A

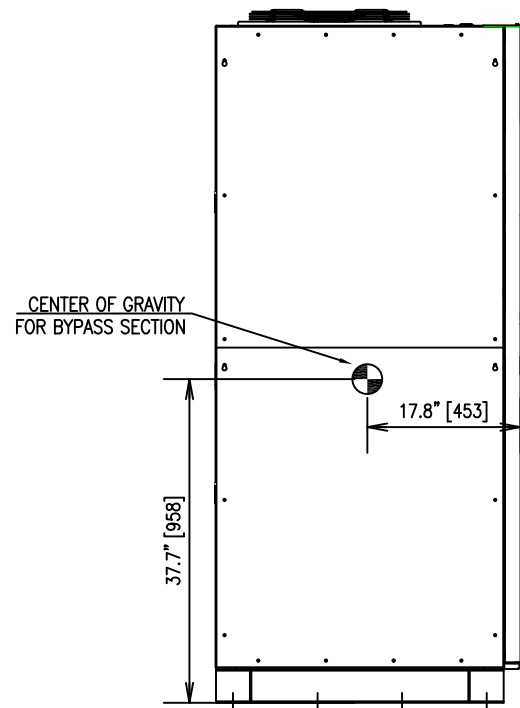


EACH DOOR  
R23.2"(590)  
88" SWING MAX  
TOP VIEW

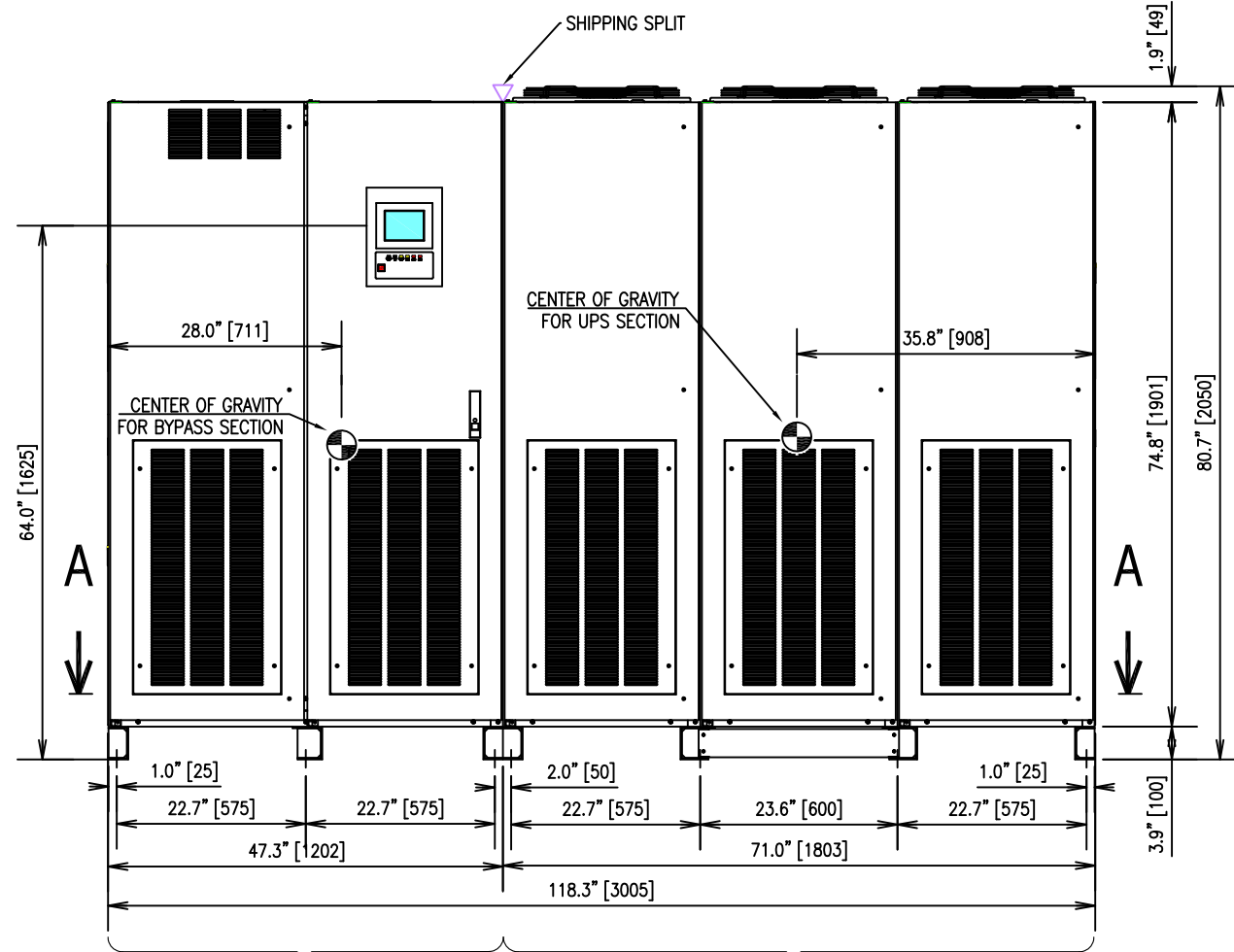
TYPE: T90S3S01MS6XSN  
RATING: 1000kVA, 3φ, 3W, 480V, 60Hz  
HEAT REJECTION: 112.8 kBTUs/HOUR

NOTES

1. DIMENSIONS ARE SHOWN IN INCHES" [MILLIMETERS].
2. CABINET MUST BE MAINTAINED UPRIGHT WITHIN ±15° DURING HANDLING.
3. EACH BASE HAS 2 or 4 x 0.8" [20] DIAMETER MOUNTING HOLES.

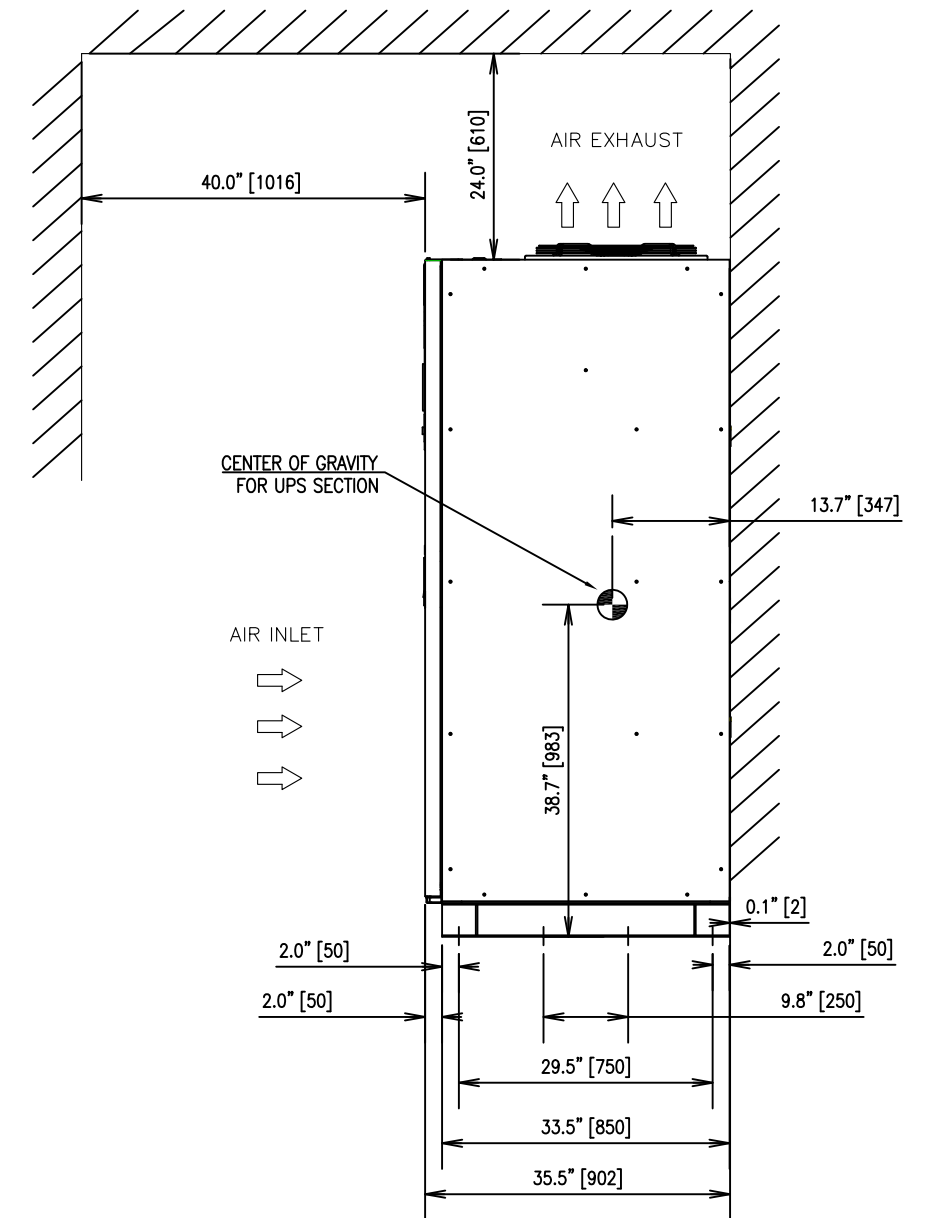


LEFT SIDE VIEW



BYPASS SECTION  
1653# (750kg)  
UPS SECTION  
4960# (2250kg)

FRONT VIEW



RIGHT SIDE VIEW

FOR QUOTE

Q0

JBT

DRAWN BY:  
JBT

DATE  
3/20/14

CHECKED BY

DATE

APPROVED BY

DATE

THIS MATERIAL IS THE EXCLUSIVE PROPERTY OF  
TOSHIBA INTERNATIONAL CORPORATION AND SHALL NOT  
BE REPRODUCED, USED OR DISCLOSED TO OTHERS  
UNLESS PRIOR WRITTEN AUTHORIZATION IS OBTAINED.

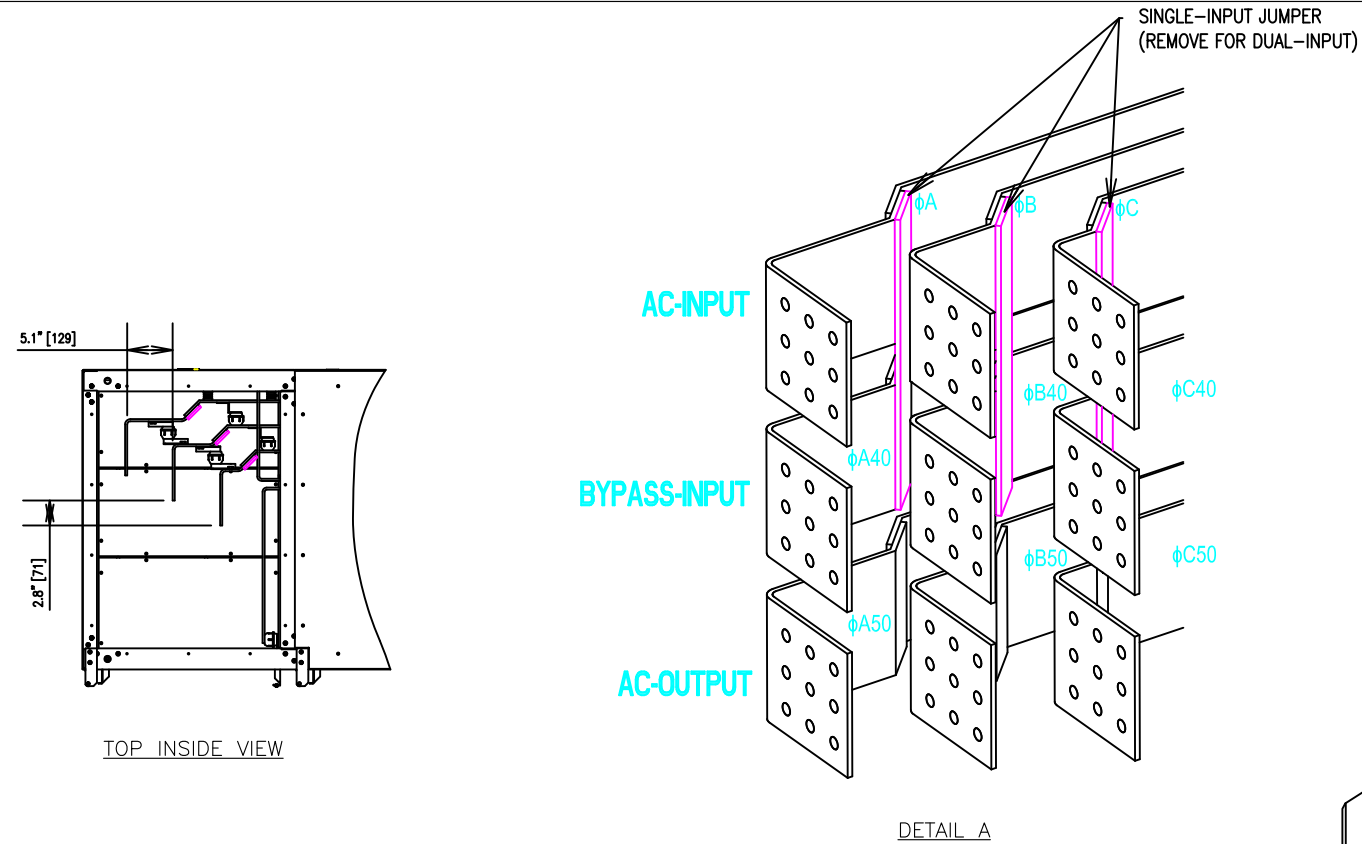
TITLE: G9000 1000kVA UPS  
OUTLINE & INSTALLATION DIAGRAM

SCALE  
NTS

ORDER NO.

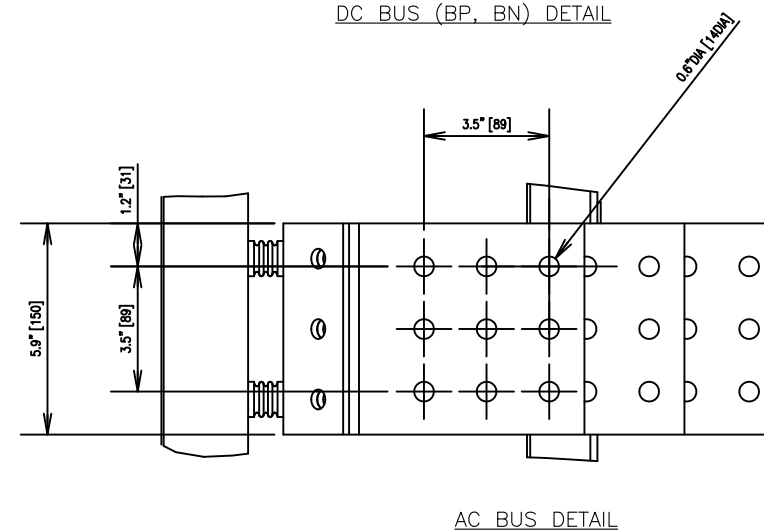
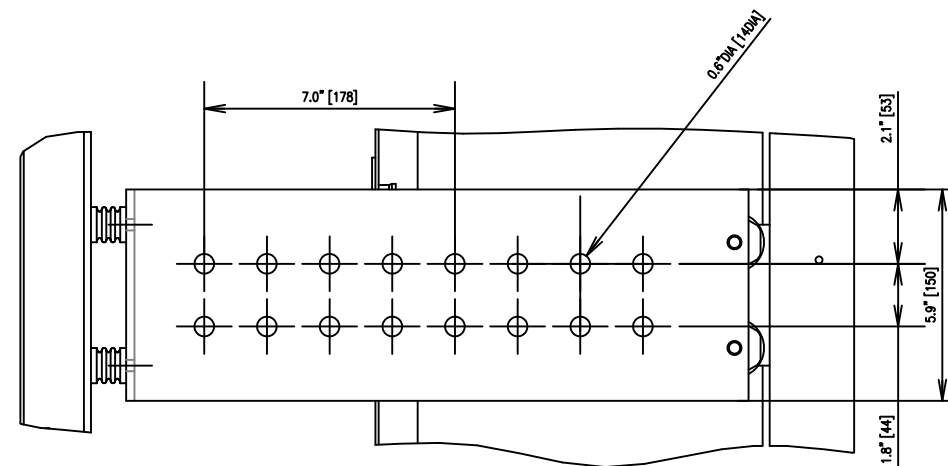
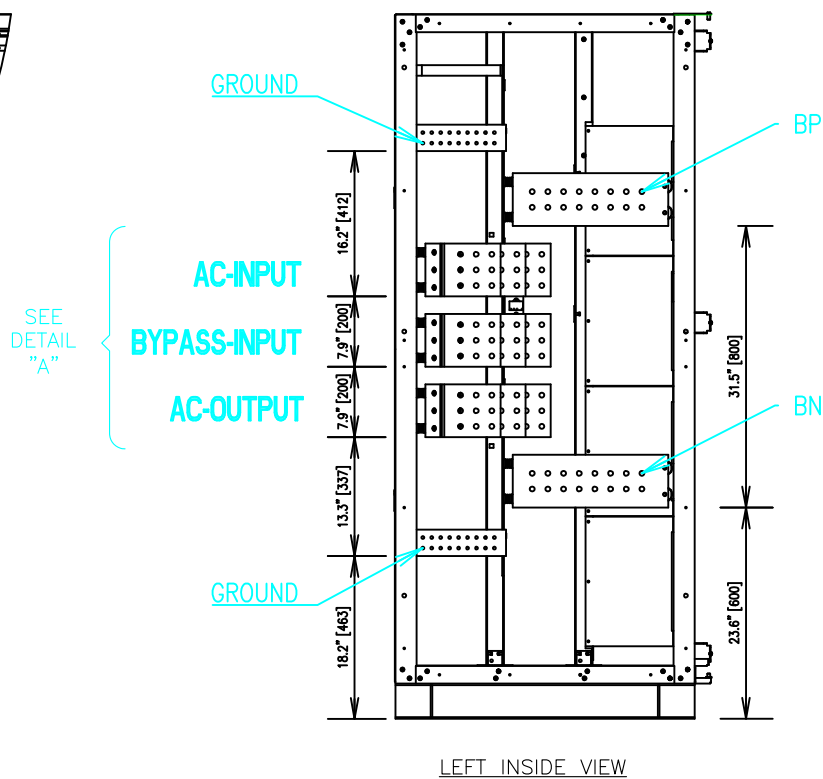
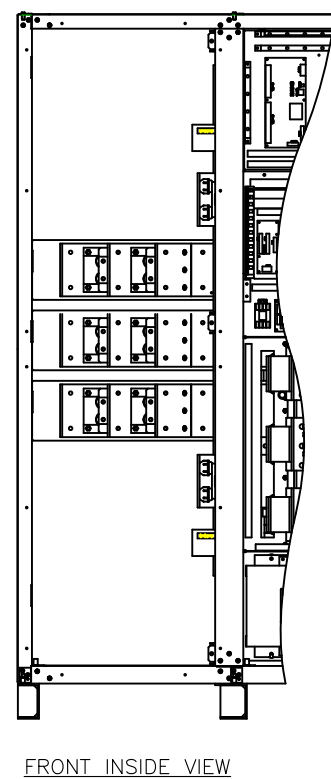
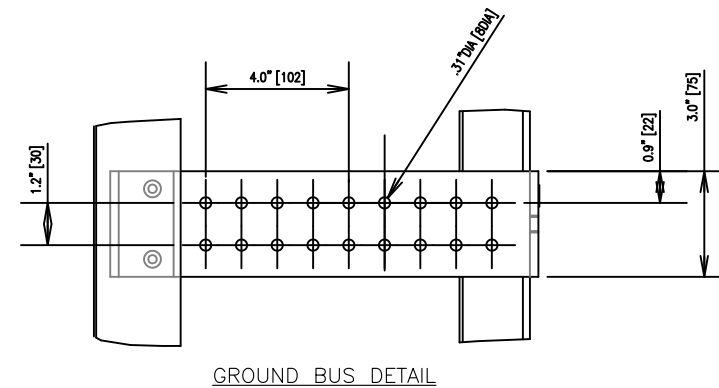
DRAWING NO.  
1M441C14039KJBT-MKTG

TOSHIBA INTERNATIONAL CORPORATION  
13131 WEST LITTLE YORK ROAD, HOUSTON, TX, 77041 U.S.A.



NOTES

- 4. EXTERNAL WIRING TO BE PROVIDED BY CUSTOMER FOR AC-INPUT, DC-INPUT, BYPASS-INPUT, AND AC-OUTPUT.
- 5. PHASE ROTATION IS A, B, C, CLOCKWISE.



FOR QUOTE	Q0	JBT	DRAWN BY: JBT	DATE 3/20/14
			CHECKED BY	DATE
			APPROVED BY	DATE

THIS MATERIAL IS THE EXCLUSIVE PROPERTY OF TOSHIBA INTERNATIONAL CORPORATION AND SHALL NOT BE REPRODUCED, USED OR DISCLOSED TO OTHERS UNLESS PRIOR WRITTEN AUTHORIZATION IS OBTAINED.

TITLE: G9000 1000kVA UPS  
OUTLINE & INSTALLATION DIAGRAM

SCALE  
NTS

ORDER NO.

DRAWING NO.  
1M441C14039KJBT-MKTG

TOSHIBA INTERNATIONAL CORPORATION  
13131 WEST LITTLE YORK ROAD, HOUSTON, TX, 77041 U.S.A.