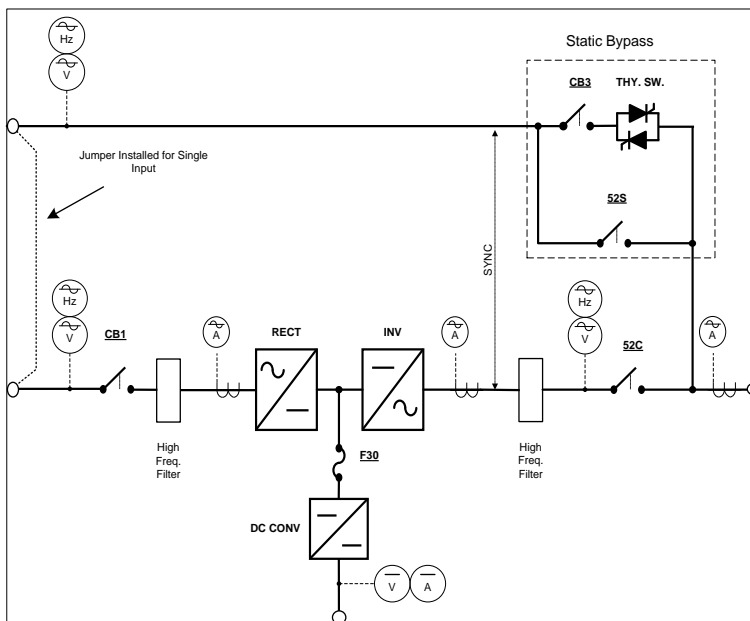


160 kVA



Features at-a-glance

- | | | |
|--|--|--|
| <ul style="list-style-type: none"> • Single/Parallel in one box for modular design • Parallel up to four units • Redundant Circuitry in each UPS for reliability • True Online, Double-Conversion Technology • Dual Input Design (Alternate Input for bypass) • Hybrid Static Bypass Switch <ul style="list-style-type: none"> - Thyristor + Contactor for highest reliability | <ul style="list-style-type: none"> • LCD Touch screen Graphic Display • IGBT Inverter – Next Generation Technology • All Digital Signal Processor (DSP) software logic using 12 bit processor • Front Access for Installation and Maintenance. • Bottom or Side Access for Power cables | <ul style="list-style-type: none"> • Battery Temperature Compensation • Generator Compatible 1.1:1 • Monitoring Options <ul style="list-style-type: none"> - RemotEye (SNMP/Web) - MODBUS, BACnet, Metasys adapters - Memory Card w/software - Programmable Dry Contacts |
|--|--|--|

G9000 160 kVA UPS Specifications

<p>Input Specifications</p> <p>Voltage range: 480V, 3Φ, 3W Voltage Range: +15% -20% Frequency range: 60Hz, +/- 10% Power factor: >0.99 Input current THD: less than 3% at 100% load Surge protection: Up to 5kA/10kV; Meets EN61643-11</p> <p>Battery Specifications</p> <p>Cabinets or Racks with DC Breaker Battery type: Sealed Valve Regulated Lead-Acid (VRLA) or Flooded Batteries Recharge time: 10 x discharge time to 95% capacity DC Link: 480VDC Nominal</p>	<p>Output Specifications: 160 kVA/144 kW (0.9PF)</p> <p>Voltage: 480V, 3Φ, 3W Voltage regulation: +/- 1% Freq. regulation: +/- 0.01% (Free running) Transient response: +/-2% at 100% load step (recovery in less than 20 ms)</p> <p>Voltage Distortion: Less than 2% for 100% linear load Less than 5% for 100% non-linear load Freq. sync range: +/- 1% to +/- 5.0% (in 1% increments) Freq. slew rate: 1 Hz/s to 5 Hz/s (in 1 Hz/s increments) Voltage adjustment: +/-5% (user selectable) Overload capacity: 150% for 1 minute 125% for 2 minutes</p>
--	--

TOSHIBA

Leading Innovation >>>

G9000 160 kVA UPS Specifications (cont.)

Bypass Specifications Voltage: 480V, 3Φ, 3W Overload capacity: 500% for 1 cycle	Standards UL/CUL 1778 Listed ISO 9001, ISO 14001 ANSI C62.41 (IEEE 587) All cabinets provide for seismic zone 4 mounting FCC Class A, Article 47, Part 15B
Environmental Specifications Ambient temperature: 0C to +40C Relative humidity: 5%-95% Non-Condensing Altitude: 0 to 7380 feet without derating Audible noise: Less than 70 dBA at 1 meter	Options Toshiba Distribution Cabinet (TDC): MBS and distribution in one line-up-and-match cabinet Slim Matching Maintenance Bypass Cabinet RemotEye II™ Network Adapter MODBUS/BACnet/MetasyS Adapter Extended Warranty and Maintenance Agreements (Contact Factory for Details)

Model # : T90S3S16KS6XS2

Input			Output		
Input Voltage	Volts	480	Output Voltage	Volts	480
Input Voltage Range	+15% to -20%		Frequency	Hz	60
Minimum	Volts	384	AC Output Current		
Maximum	Volts	552	Nominal Amps	Amps	192
Frequency	Hz	60	2 Minutes Max.	Amps	240
AC Input Current			DC Link		
Nominal Amps	Amps	181	Float Voltage	Volts	545
Maximum Amps	Amps	204	End of Discharge	Volts	400
Bypass			Charger	Amps	40
Bypass Input	Volts	480	Environmental		
Nominal Amps	Amps	192	Efficiency	%	96.4
1 Cycle Max.	Amps	960	Full Load Heat Dissipation		
			kBTU/Hr.		18.3
			kW Loss		5.37

