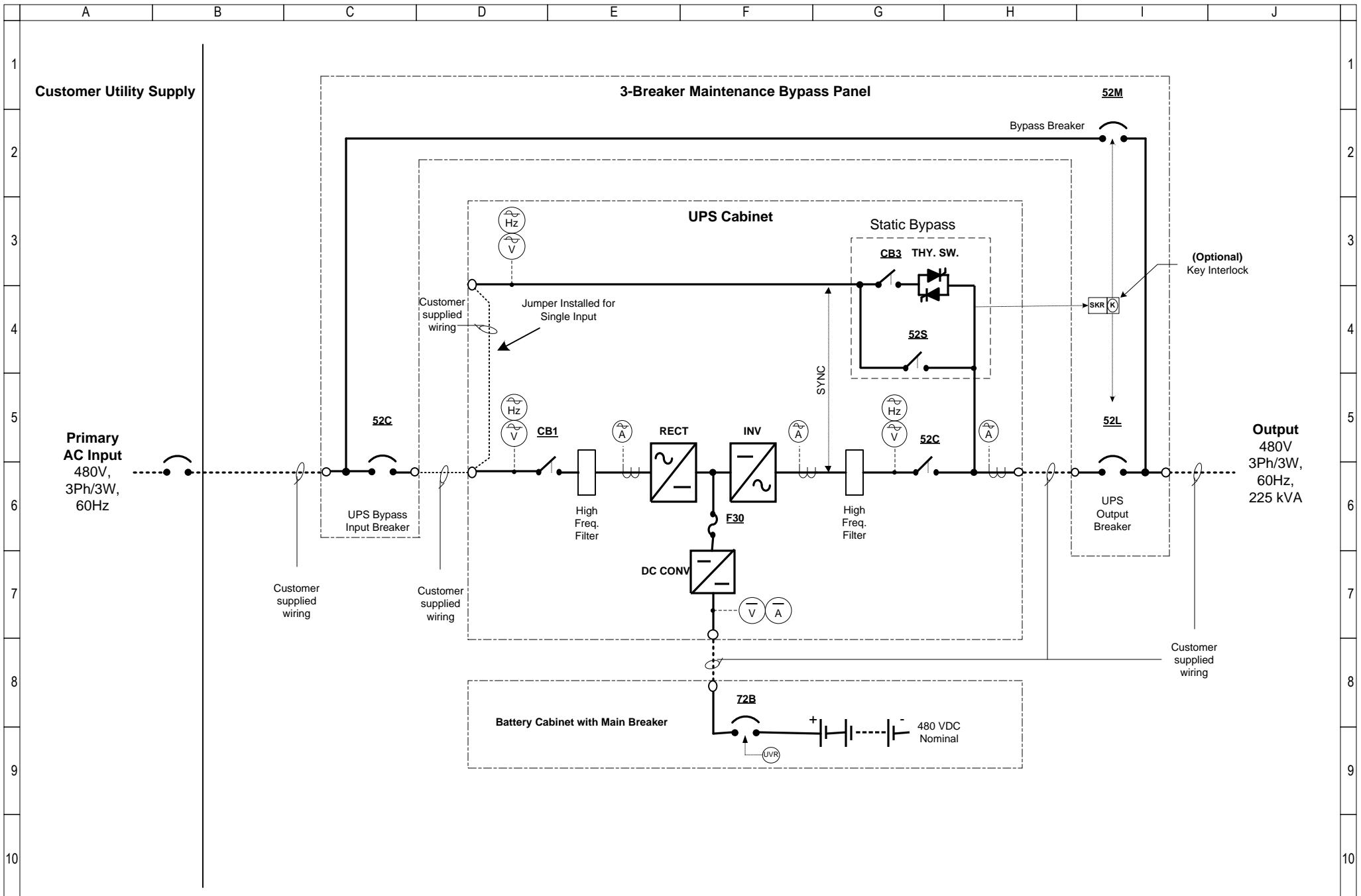


<p>NOTES</p> <p>1) This drawing is for illustration purposes only and is subject to change without notice. TIC is not responsible for any errors or omissions.</p>	<p>Drawn by EKM Date 11/04/08 Approved by</p>	<p align="center">TOSHIBA INTERNATIONAL CORPORATION Houston Texas, USA</p> <p align="center">THIS MATERIAL IS THE EXCLUSIVE PROPERTY OF TOSHIBA INTERNATIONAL CORPORATION AND SHALL NOT BE REPRODUCED, USED, OR DISCLOSED TO OTHERS UNLESS PRIOR WRITTEN AUTHORIZATION IS OBTAINED.</p>	<p>TITLE</p> <p align="center">One-Line Diagram 225 kVA G9000 Series UPS 480V Dual Input, 480V Output, with External 3-Breaker Bypass Panel</p> <table border="1"> <tr> <td data-bbox="1493 1485 1900 1549"> <p>DRAWING NO.</p> <p align="center">T90S3S22KS6XSN-E3-DI</p> </td> <td data-bbox="1900 1485 2003 1549"> <p>REV.</p> <p align="center">0.0</p> </td> </tr> </table>	<p>DRAWING NO.</p> <p align="center">T90S3S22KS6XSN-E3-DI</p>	<p>REV.</p> <p align="center">0.0</p>
<p>DRAWING NO.</p> <p align="center">T90S3S22KS6XSN-E3-DI</p>	<p>REV.</p> <p align="center">0.0</p>				



NOTES

1) This drawing is for illustration purposes only and is subject to change without notice. TIC is not responsible for any errors or omissions.

Drawn by
EKM
Date 11/04/08
Approved by

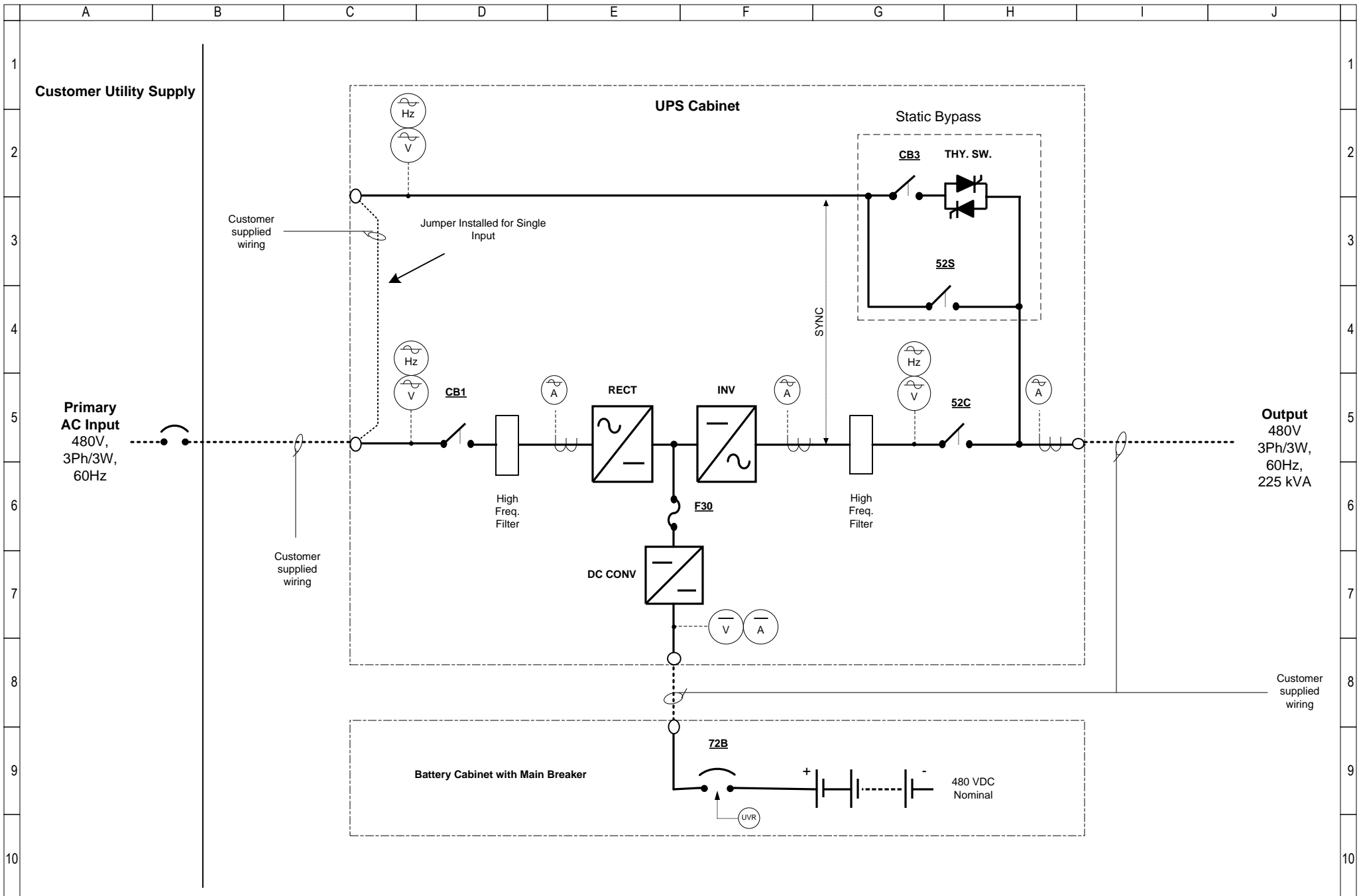
TOSHIBA

INTERNATIONAL CORPORATION
Houston Texas, USA

THIS MATERIAL IS THE EXCLUSIVE PROPERTY OF TOSHIBA INTERNATIONAL CORPORATION AND SHALL NOT BE REPRODUCED, USED, OR DISCLOSED TO OTHERS UNLESS PRIOR WRITTEN AUTHORIZATION IS OBTAINED.

TITLE
One-Line Diagram
225 kVA **G9000 Series** UPS
480V Single Input, 480V Output,
with External 3-Breaker Bypass Panel

DRAWING NO. T90S3S22KS6XSN-E3-SI
REV. 1.0



NOTES

1) This drawing is for illustration purposes only and is subject to change without notice. TIC is not responsible for any errors or omissions.

Drawn by
EKM
Date 11/04/08
Approved by

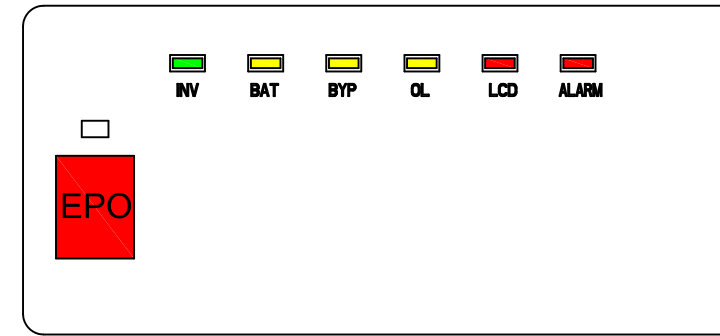
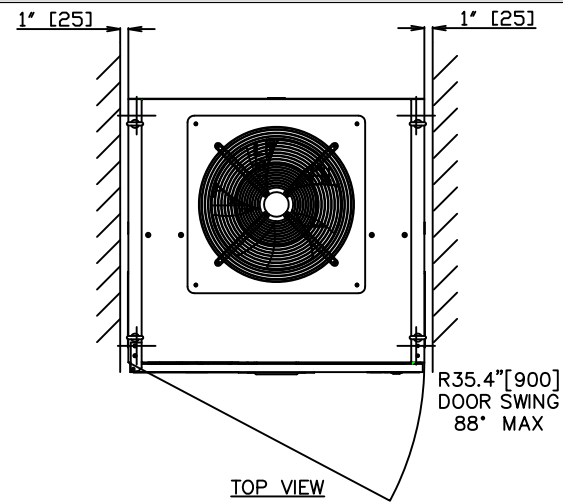
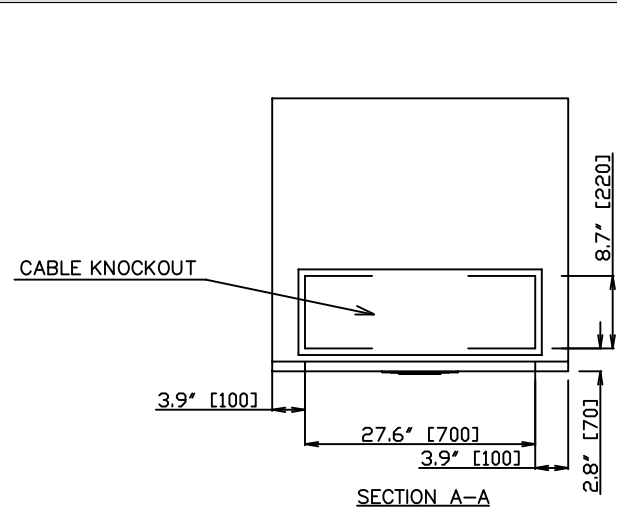
TOSHIBA

INTERNATIONAL CORPORATION
Houston Texas, USA

THIS MATERIAL IS THE EXCLUSIVE PROPERTY OF TOSHIBA INTERNATIONAL CORPORATION AND SHALL NOT BE REPRODUCED, USED, OR DISCLOSED TO OTHERS UNLESS PRIOR WRITTEN AUTHORIZATION IS OBTAINED.

TITLE
One-Line Diagram
225 kVA **G9000 Series** UPS
480V Single Input, 480V Output

DRAWING NO. T90S3S22KS6XSN
REV. 1.0

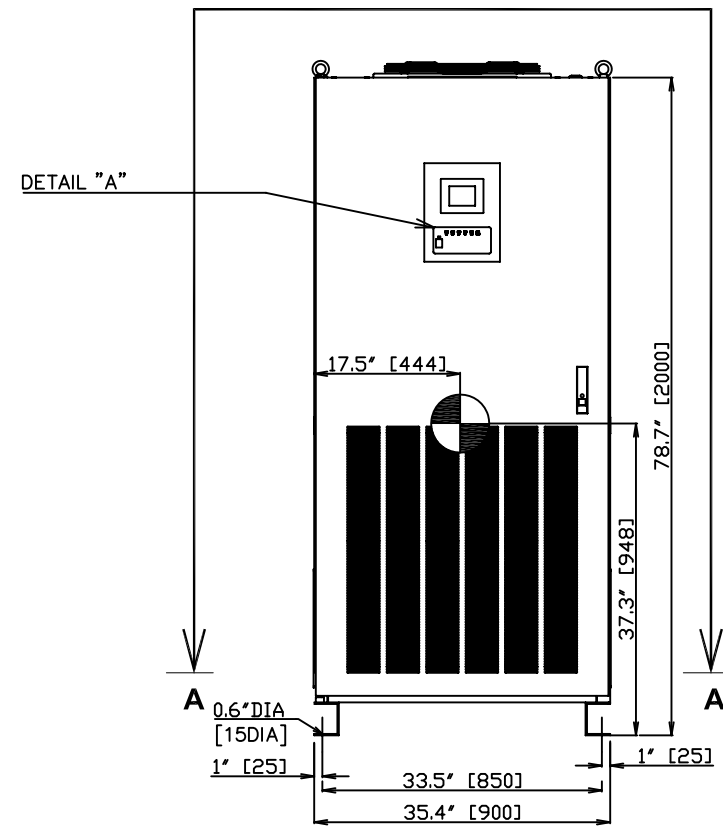


DETAIL "A"

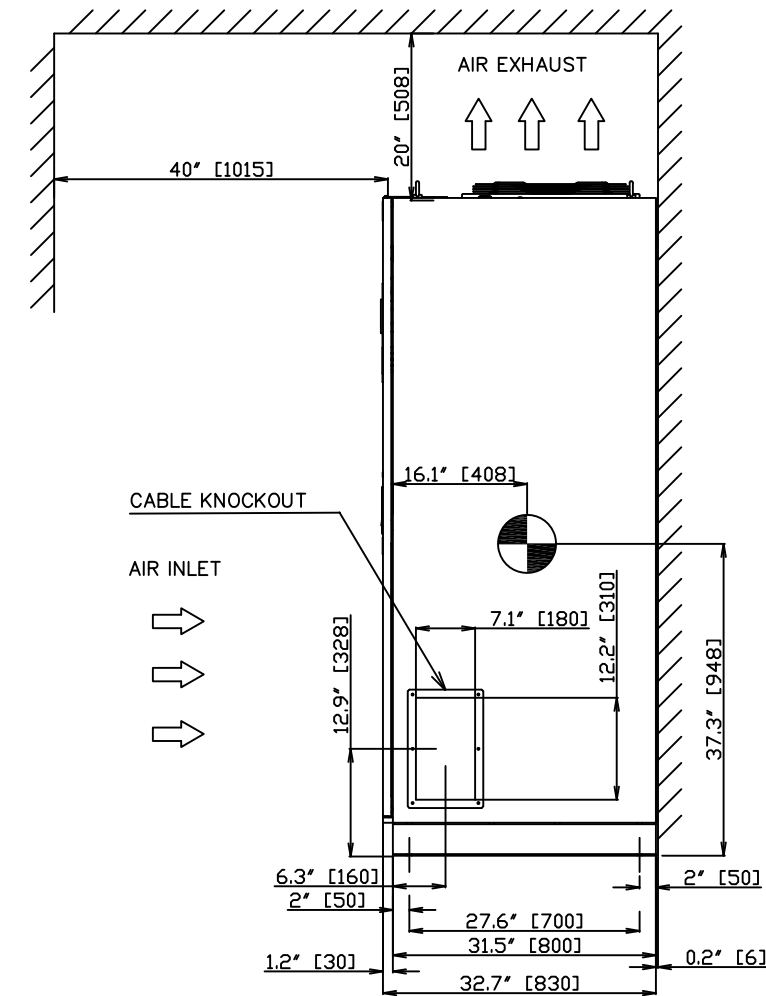
NOTES

1. DIMENSIONS ARE SHOWN IN INCHES (MILLIMETERS IN BRACKETS []).
2. SIDE CLEARANCE OF 1" [25] IS NOT REQUIRED WITH CABINETS INSTALLED SIDE-BY-SIDE.
3. CABINET SHOULD BE MAINTAINED UPRIGHT WITHIN ±15° DURING MOVING.

TYPE : T90S3S22KS6XSN
 RATING : 225kVA-3P3W-480V-60Hz
 APPROX. WEIGHT : 1,230LBS (558kg)
 HEAT REJECTION : 25.1 kBTUs/hour



FRONT VIEW



SIDE VIEW

THIS MATERIAL IS THE EXCLUSIVE PROPERTY OF TOSHIBA INTERNATIONAL CORPORATION AND SHALL NOT BE REPRODUCED, USED OR DISCLOSED TO OTHERS UNLESS PRIOR WRITTEN AUTHORIZATION IS OBTAINED.

TITLE: G9000 225kVA UPS MODULE
 OUTLINE & INSTALLATION DRAWING

SCALE: NTS ORDER NO.

DRAWING NO. 922441COL0810JBT-MKTG

TOSHIBA INTERNATIONAL CORPORATION
 13131 WEST LITTLE YORK ROAD, HOUSTON, TX, 77041 U.S.A.

FOR QUOTE	Q0	JBT	DRAWN BY: JBT	DATE 10/2/08
			CHECKED BY	DATE
			APPROVED BY	DATE