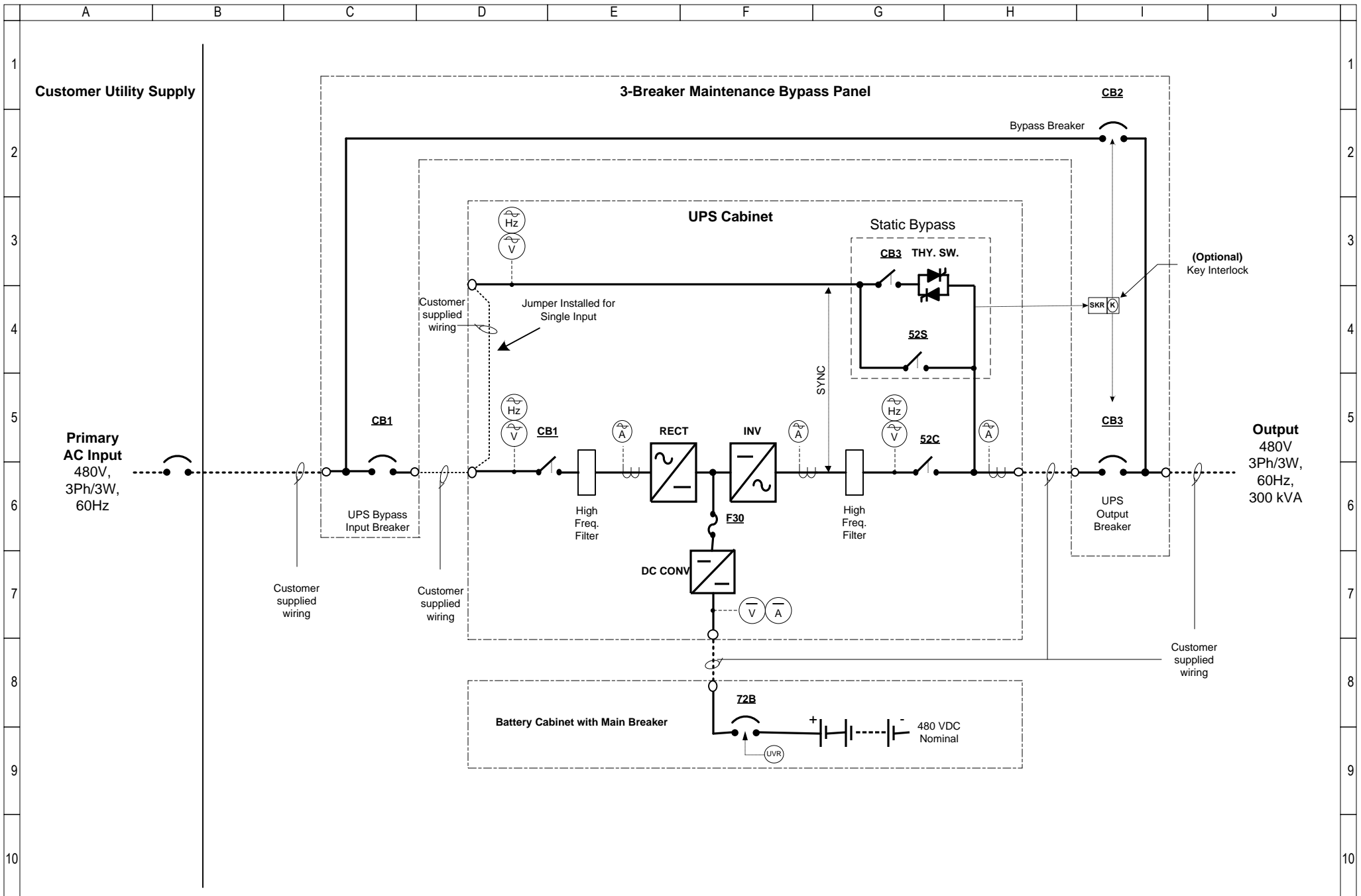


<p><b>NOTES</b></p> <p>1) This drawing is for illustration purposes only and is subject to change without notice. TIC is not responsible for any errors or omissions.</p>	<p>Drawn by EKM Date 2/24/10 Approved by</p>	<p><b>TOSHIBA</b> INTERNATIONAL CORPORATION Houston Texas, USA</p> <p>THIS MATERIAL IS THE EXCLUSIVE PROPERTY OF TOSHIBA INTERNATIONAL CORPORATION AND SHALL NOT BE REPRODUCED, USED, OR DISCLOSED TO OTHERS UNLESS PRIOR WRITTEN AUTHORIZATION IS OBTAINED.</p>	<p>TITLE One-Line Diagram 300 kVA G9000 Series UPS 480V Dual Input, 480V Output, with External 3-Breaker Bypass Panel</p> <p>DRAWING NO. T90S3S30KS6XSN-E3-DI</p> <p>REV. 0.0</p>
---	--	--	---



**NOTES**

1) This drawing is for illustration purposes only and is subject to change without notice. TIC is not responsible for any errors or omissions.

Drawn by  
EKM  
Date 2/24/10  
Approved by

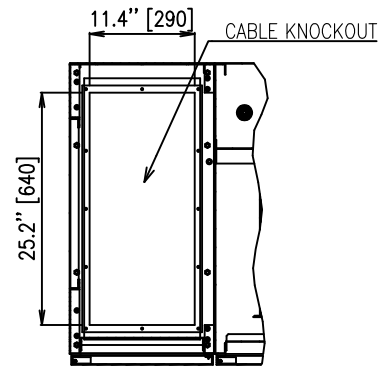
**TOSHIBA**

INTERNATIONAL CORPORATION  
Houston Texas, USA

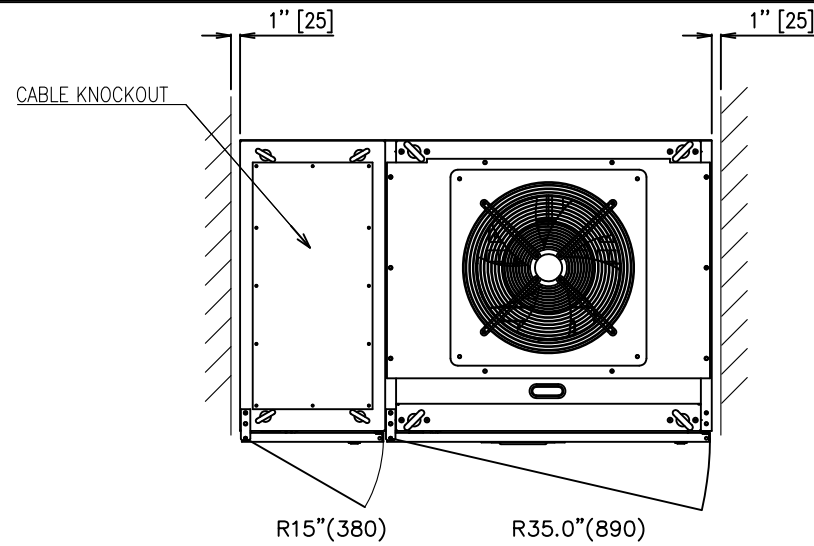
THIS MATERIAL IS THE EXCLUSIVE PROPERTY OF TOSHIBA INTERNATIONAL CORPORATION AND SHALL NOT BE REPRODUCED, USED, OR DISCLOSED TO OTHERS UNLESS PRIOR WRITTEN AUTHORIZATION IS OBTAINED.

TITLE  
One-Line Diagram  
300 kVA **G9000 Series** UPS  
480V Single Input, 480V Output,  
with External 3-Breaker Bypass Panel

DRAWING NO. T90S3S30KS6XSN-E3-SI  
REV. 1.0



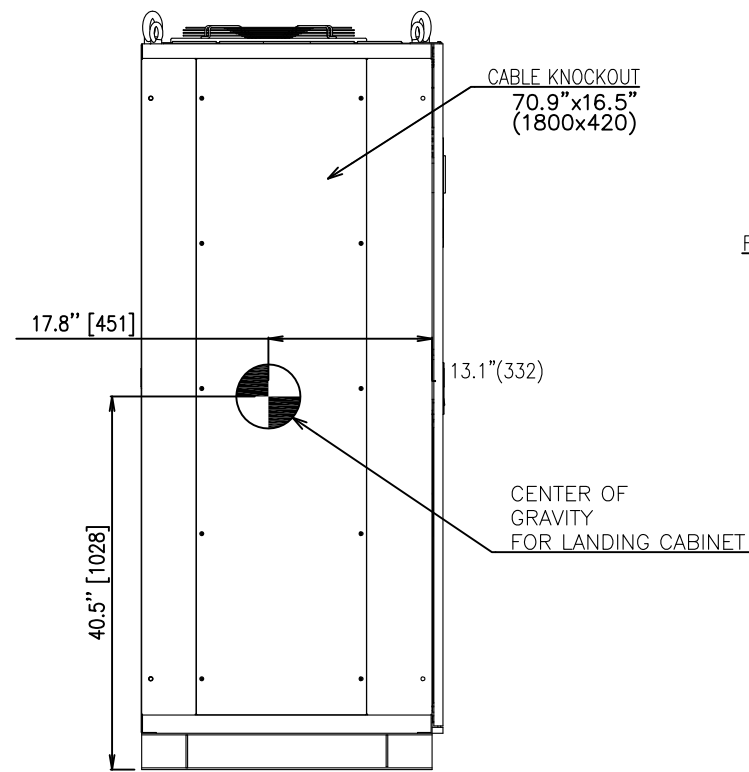
BOTTOM CABLE ENTRY  
CROSS SECTION A-A



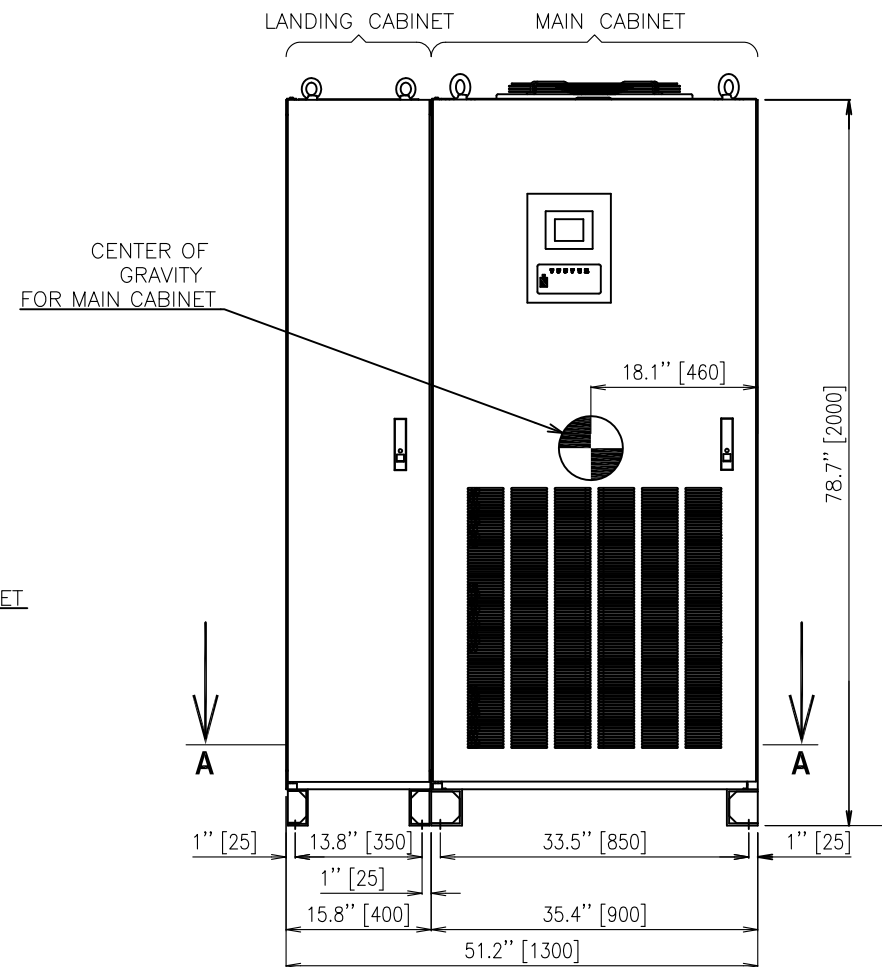
TOP VIEW

TYPE : T90S3S30KS6XSN  
 RATING : 300kVA-3P3W-480V-60Hz  
 APPROX.WEIGHT : 2,260LBS (1,025kg)  
 HEAT REJECTION : 31.7 kBTUs/Hr (TYPICAL)

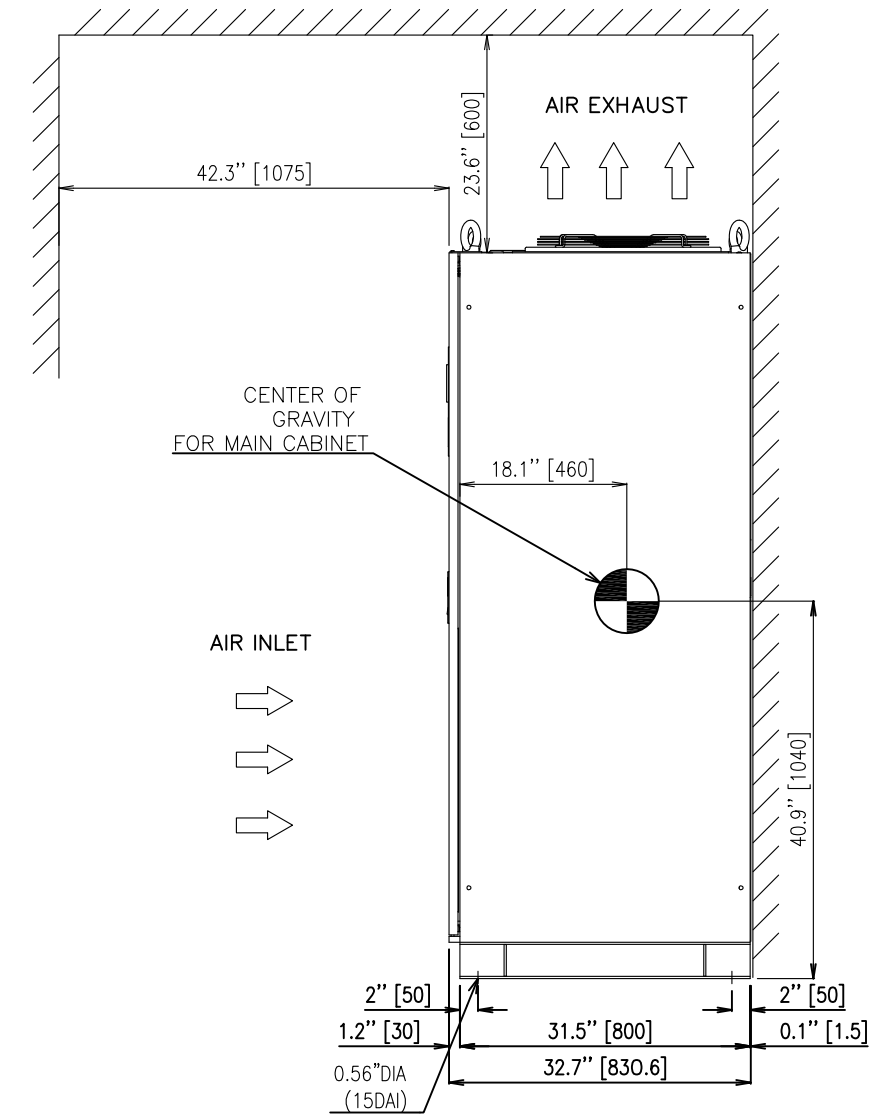
NOTES  
 1.DIMENSIONS ARE SHOWN IN INCHES (MILLIMETERS IN PARENTHESIS).  
 2.CABINET SHOULD BE MAINTAINED UPRIGHT WITHIN ±15° DURING MOVING.



LEFT SIDE VIEW

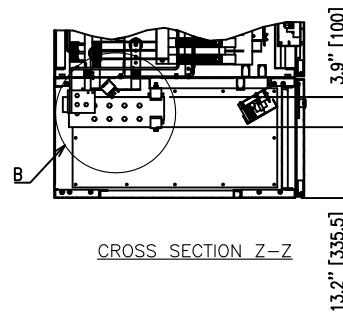
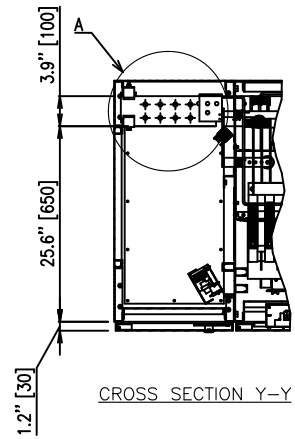


FRONT VIEW



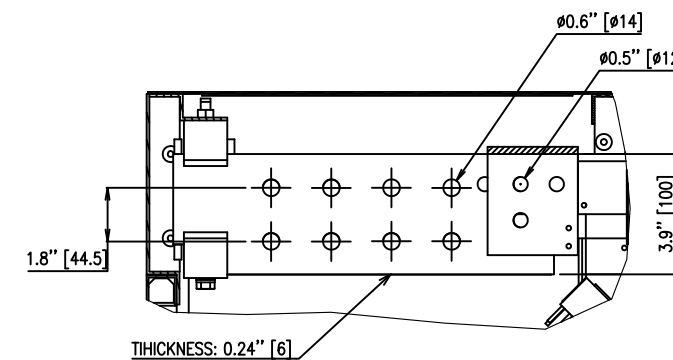
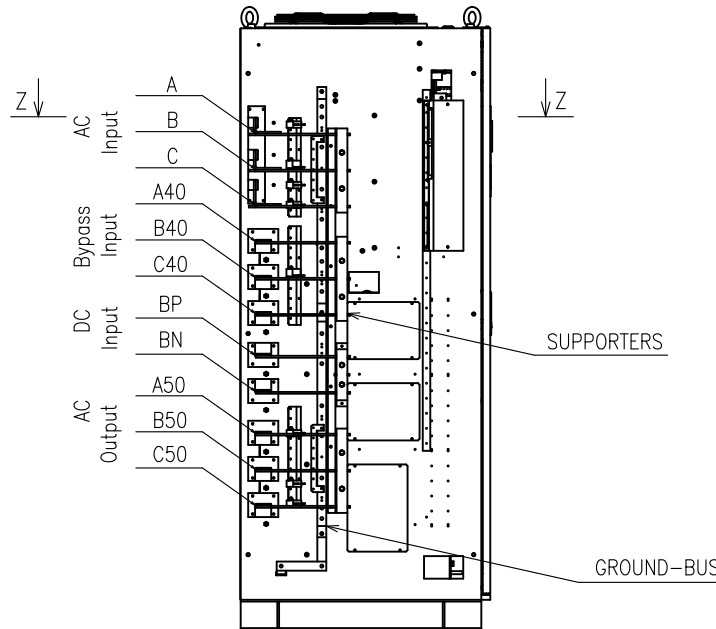
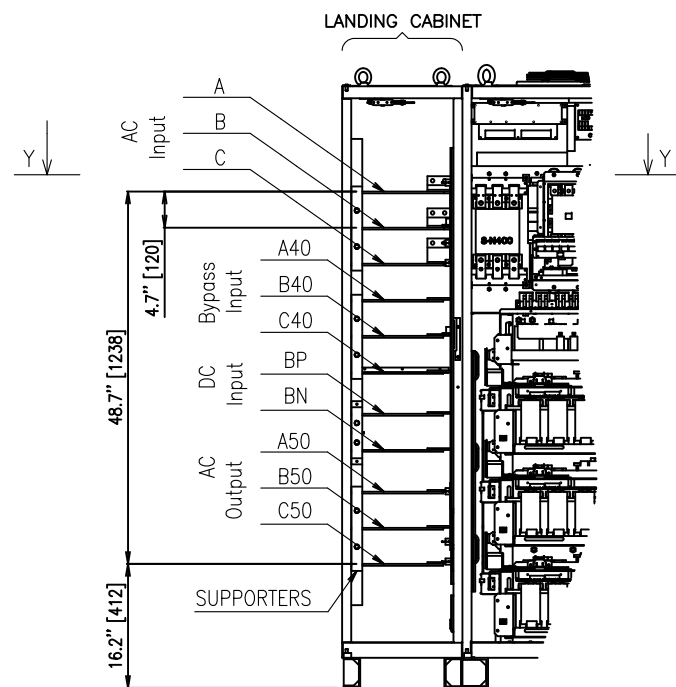
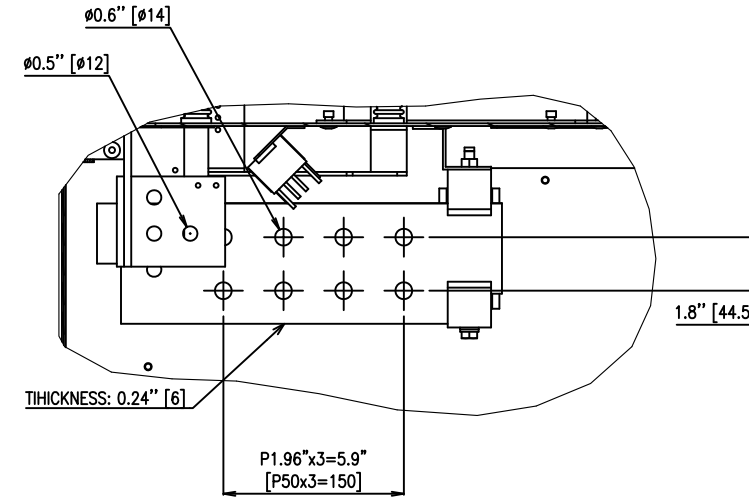
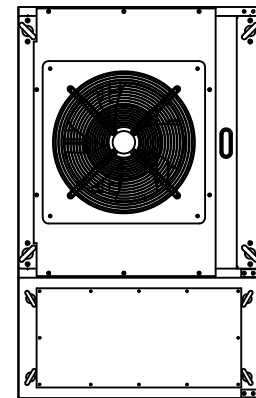
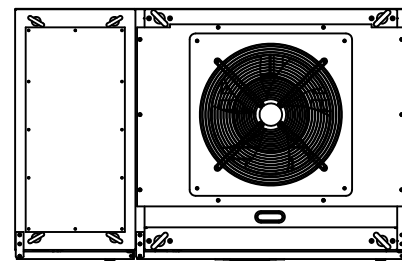
RIGHT SIDE VIEW

FOR QUOTE	Q0	JBT	DRAWN BY: JBT	DATE 7/2/10	THIS MATERIAL IS THE EXCLUSIVE PROPERTY OF TOSHIBA INTERNATIONAL CORPORATION AND SHALL NOT BE REPRODUCED, USED OR DISCLOSED TO OTHERS UNLESS PRIOR WRITTEN AUTHORIZATION IS OBTAINED.	TITLE: G9000 300kVA UPS OUTLINE & INSTALLATION DIAGRAM	SCALE NTS	ORDER NO.
			CHECKED BY	DATE			DRAWING NO. 30441C10079JBT-MKTG	
			APPROVED BY	DATE				
TOSHIBA INTERNATIONAL CORPORATION						13131 WEST LITTLE YORK ROAD, HOUSTON, TX, 77041 U.S.A.		SH. 1 OF 2



NOTES

3. CABLES FOR AC INPUT, DC INPUT, BYPASS INPUT, AND AC OUTPUT PROVIDED BY OTHERS.
4. PHASE ROTATION IS A-B-C CLOCKWISE.
5. BUS BARS MAY BE ORIENTED L-R (FRONT INSIDE VIEW, CROSS SECTION Y-Y & DETAIL "A") OR FRONT-REAR (LEFT INSIDE VIEW, CROSS SECTION Z-Z & DETAIL "B")



FOR QUOTE

QO

JBT

DRAWN BY:  
JBT

DATE  
7/13/10

THIS MATERIAL IS THE EXCLUSIVE PROPERTY OF  
TOSHIBA INTERNATIONAL CORPORATION AND SHALL NOT  
BE REPRODUCED, USED OR DISCLOSED TO OTHERS  
UNLESS PRIOR WRITTEN AUTHORIZATION IS OBTAINED.

TITLE: G9000 300kVA UPS  
OUTLINE & INSTALLATION DRAWING

SCALE  
NTS

ORDER NO.

CHECKED BY

DATE

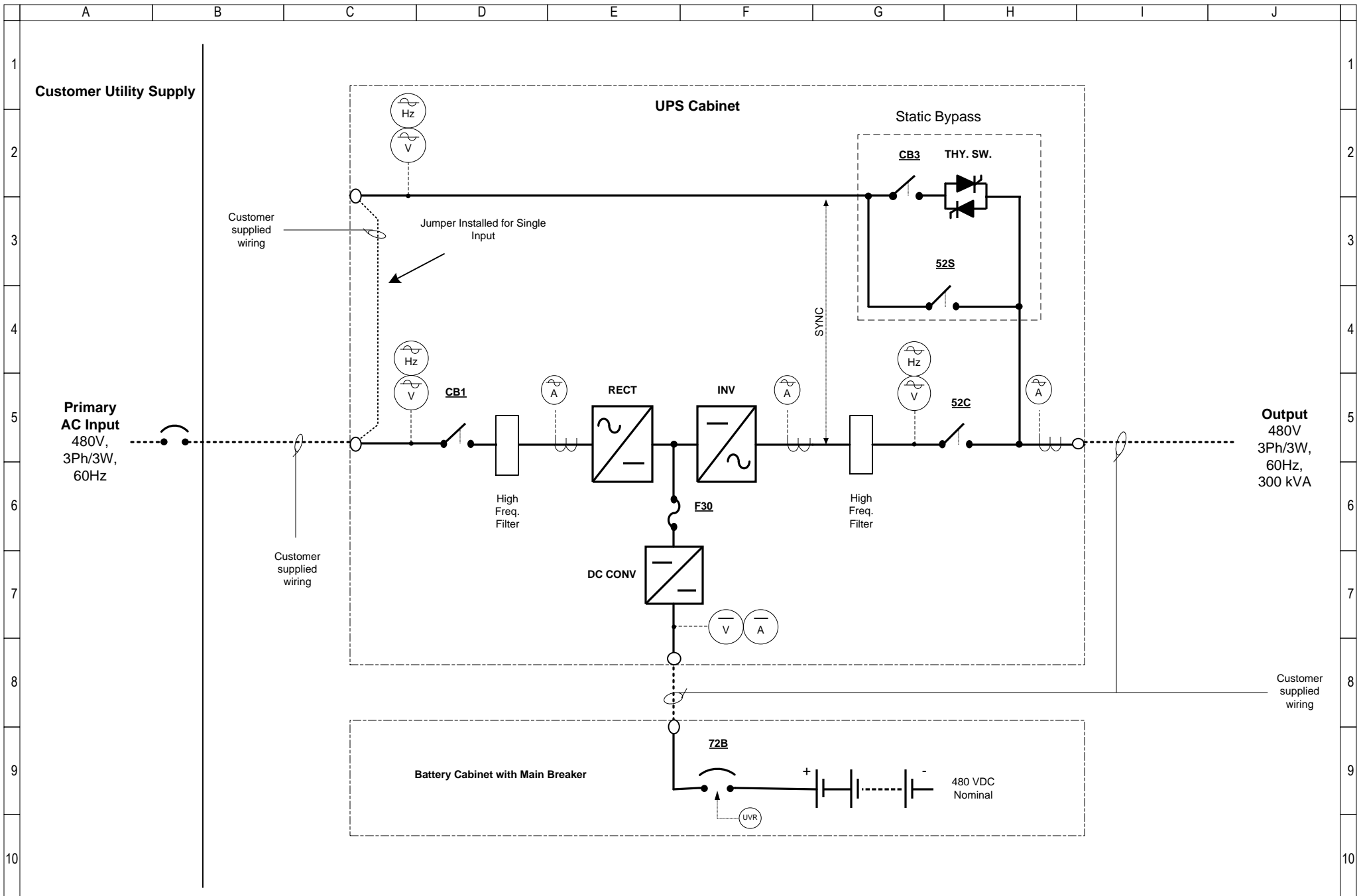
APPROVED BY

DATE

TOSHIBA INTERNATIONAL CORPORATION  
13131 WEST LITTLE YORK ROAD, HOUSTON, TX, 77041 U.S.A.

DRAWING NO.  
30441C10079JBT-MKTG

SH.2 OF 2



**NOTES**

1) This drawing is for illustration purposes only and is subject to change without notice. TIC is not responsible for any errors or omissions.

Drawn by  
EKM  
Date 2/24/10  
Approved by

**TOSHIBA**

INTERNATIONAL CORPORATION  
Houston Texas, USA

THIS MATERIAL IS THE EXCLUSIVE PROPERTY OF TOSHIBA INTERNATIONAL CORPORATION AND SHALL NOT BE REPRODUCED, USED, OR DISCLOSED TO OTHERS UNLESS PRIOR WRITTEN AUTHORIZATION IS OBTAINED.

TITLE

One-Line Diagram  
300 kVA **G9000 Series** UPS  
480V Single Input, 480V Output

DRAWING NO.

T90S3S30KS6XSN

REV.

1.0