

Toshiba International Corporation Uninterruptible Power Systems



1000 Series 1500VA 120V Tower – UT1A1A015C6

1500VA 120V/120V Tower - The 1000 Series 1500VA debuts with Toshiba's standard stellar capabilities with an additional list of upgraded features. The Overload Capacity and the Input Power Factor are just the beginning. The box has great LCD scroll options and standard Cold Start features

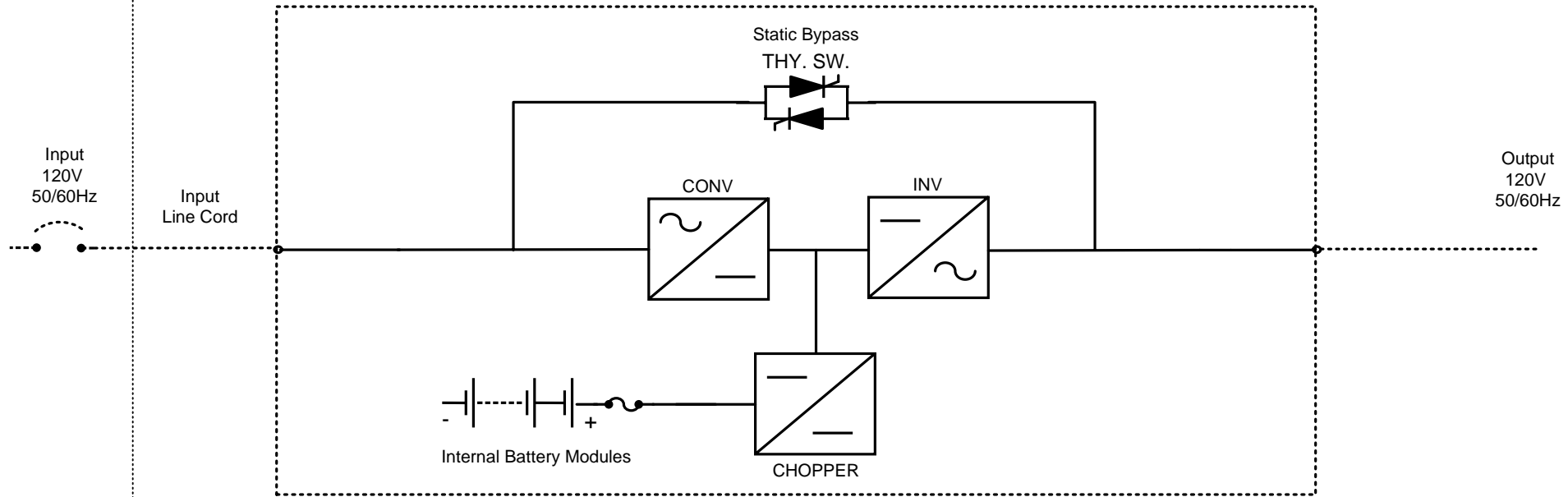
Product Specifications

INPUT	Voltage	120Vac
	Voltage Range	80V~144V (+20% to -33%)
	Frequency	50/60 Hz Auto Sensing
	Synchronization window	± 3Hz
	Power Factor	Greater than 0.97
	THD Current	Less than 9% at Full Load
	Topology	True On-Line, Double Conversion, Input PF Correction
	OUTPUT	Voltage
Capacity (VA)		1500VA
Capacity (W)		1050W
Voltage Regulation		+/- 2%
Voltage Distortion		Less than 5% THD at Full Non-Linear Load. Less than 3% THD at full Linear Load.
Step Load		± 9 % max from 100% to 20 % or from 20% to 100 % linear load
Rated Current		10A
Overload Capacity		125% for 1 minute, 150% for 10 seconds
Crest Factor		3.0 at full load
Frequency	50/60 Hz Auto Sensing	
Frequency Regulation	+/- 0.25Hz	

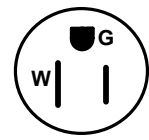
Toshiba International Corporation Uninterruptible Power Systems

	Wave Form	Sine wave, Zero Transfer Time
	Load Power Factor	0.7
	Efficiency AC to AC	Greater than 86%
BATTERY	DC Voltage	36V
	Backup Time	6 min (full load) 18 min (half load)
	Battery type	Yuasa Flame Retardant Lead Acid 9Ah/12V
	Number of batteries	3
	Recharge time	<4 hours to 90%
PHYSICAL	Interface	RS-232, USB Standard, Option Card Interface, Network Transient Protector, External Battery Connectivity
	Line Cord	5-15R
	Receptacles	Six NEMA 5-15R
	Dimensions WxDxH (mm)	420x152x239
	Ship Dimensions WxDxH (mm)	546x280x356
	Dimensions W x D x H (inch)	16.5x6x 9.4
	Ship Dimensions WxDxH (inch)	21.5x11x14
	Weight kg (lb)	17 (37.4)
	Ship Weight kg (lb)	19.3 (42.5)
OPTION	External Matching Battery Cabinet	Single - 20 Mins, Double - 40 Mins. Max Two Cabinets. Part #: UT1-BC-0320
	Remote Contact Card	Part #: UT1-RMT-CONTACT
	Network Interface Card	RemotEye II - Part #: RMTI-INT-R25
	Environmental Monitoring Device	Part #: RMTI-EMD-HT
	Frequency Conversion	Software Package Part # DUM0029
ENVIRONMENT	Operating Ambient Temperature	0 ~ 40°C (32 ~ 104°F)
	Recommended Temperature	+15°C ~ 25°C
	Storage Temperature	-15°C ~ 50°C
	Cooling	Forced Air-Cooling
	Humidity	0-95%, Non-Condensing
	Audible Noise	Less than 45db Normal and Battery Modes
	Altitude	11500 ft (3,500 m) above sea level
CONFORMANCE	Regulatory Approvals	FCC Part 15 Class B, UL 1778, ICES-003
WARRANTY		Three years on electronics
		Two years full replacement on battery (See Toshiba warranty policy for full details)

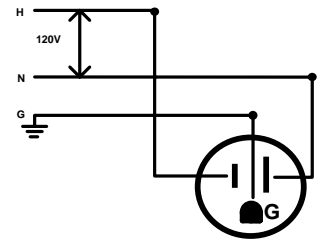
UPS Cabinet



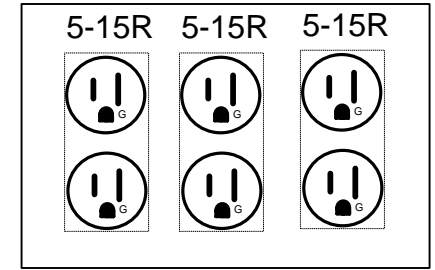
Input Cord
Line Cord 5-15P (6ft)



Wiring Diagram



Output Receptacle Panel



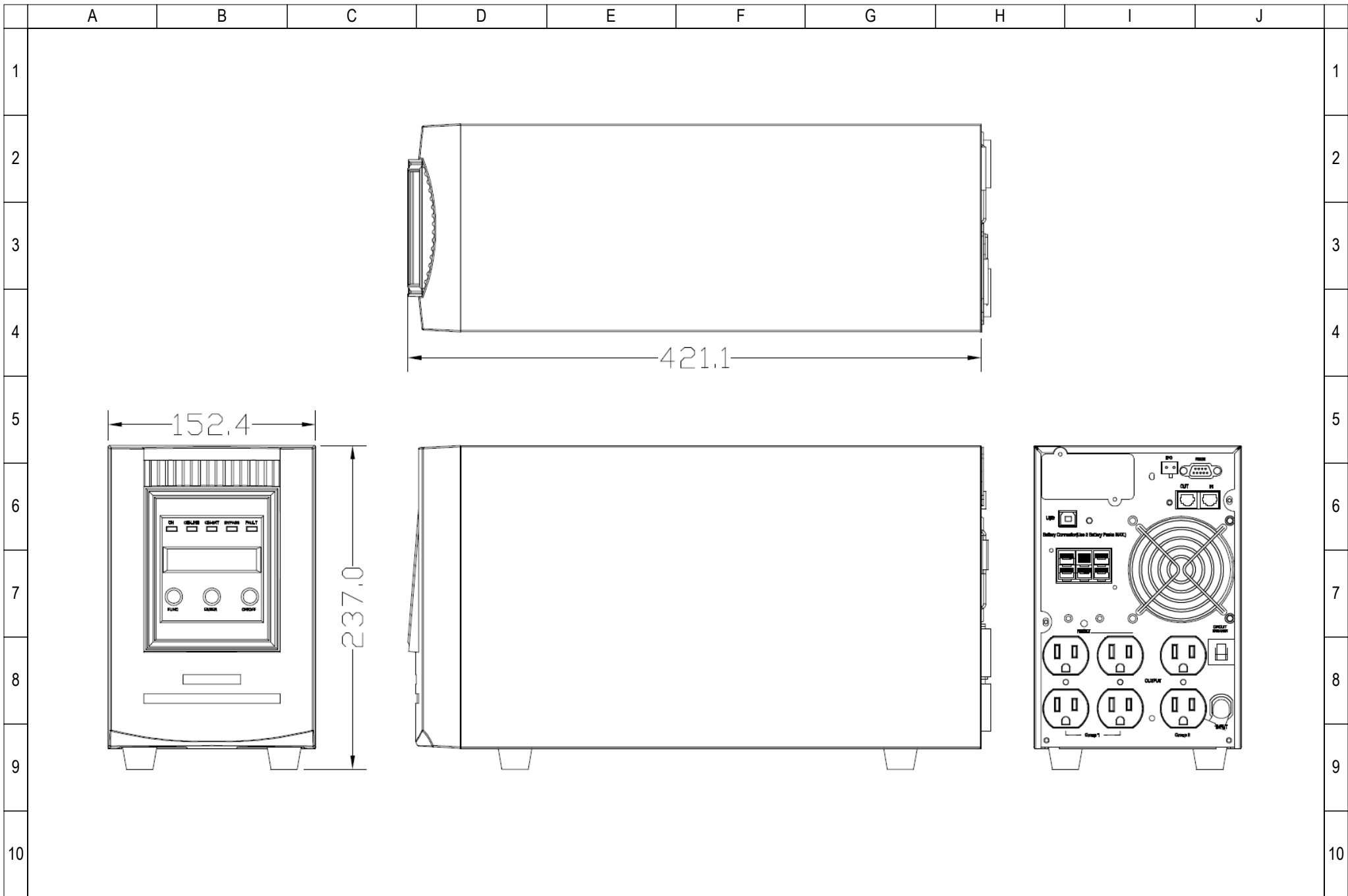
NOTES

1) This drawing is for illustration purposes only and is subject to change without notice. TIC is not responsible for any errors or omissions.

Drawn by
JE
DATE 11/28/05
Approved by
GM
DATE 11/28/05

TOSHIBA
INTERNATIONAL CORPORATION
Houston Texas, USA
THIS MATERIAL IS THE EXCLUSIVE PROPERTY OF TOSHIBA INTERNATIONAL CORPORATION AND SHALL NOT BE REPRODUCED, USED, OR DISCLOSED TO OTHERS UNLESS PRIOR WRITTEN AUTHORIZATION IS OBTAINED.

TITLE
1000 Series
1.5 kVA Model 120V Input
120V Output
DRAWING NO.
UT1A1A015C6
REV.
1.0



NOTES

1) This drawing is for illustration purposes only and is subject to change without notice. TIC is not responsible for any errors or omissions.

Drawn by
ER
DATE 04/16/12
Approved by
TT
DATE 04/16/12

TOSHIBA
INTERNATIONAL CORPORATION
Houston Texas, USA
THIS MATERIAL IS THE EXCLUSIVE PROPERTY OF
TOSHIBA INTERNATIONAL CORPORATION AND SHALL NOT
BE REPRODUCED, USED, OR DISCLOSED TO OTHERS
UNLESS PRIOR WRITTEN AUTHORIZATION IS OBTAINED.

TITLE
1000 Series Tower
1.5 kVA Model 120V Input
120V Output

DRAWING NO.
UT1A1A015C6

REV.
1.0