

TOSHIBA

Leading Innovation >>>



One of the World's First to Feature Silicon Carbide (SiC) Technology

- Available in:
500 kVA/500 kW
750 kVA/750 kW
- Space-saving Compact Footprint
(500 kVA 59.1" x 33.5" x 80.6")
(750 kVA 84.7" x 33.5" x 80.6")
- True Online, Double-Conversion Technology
- Typical 98.2% AC-AC Efficiency
- Parallel Up to 8 Units
- Dual Input Design (Alternate Input for Bypass)
- All Digital Signal Processor Software
- Easily Accessible for Installation and Maintenance
- No Capacity Derating up to 40°C (104°F) and 1981 meters (6500 ft)
- RemotEye 4 Monitoring:
HTTP(S), SNMP, Modbus RTU & TCP, BACnet MSTP & IP

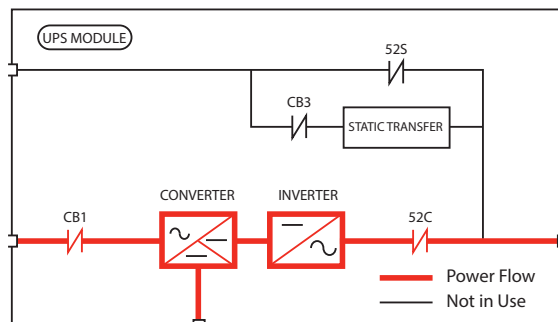
G2020 SERIES >>>
UNINTERRUPTIBLE POWER SYSTEMS >>>

G2020 SERIES

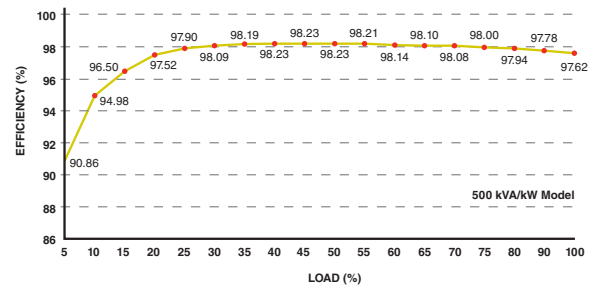


MODEL	Model Number	T200H0500KWWW	T200H0750KWWW	
		Capacity	500 kVA	750 kVA
AC INPUT	Configuration	3-Phase, 3-Wire		
	Voltage	480 V +15% to -20%		
	Frequency	60 Hz ±10%		
	Reflected Current THDi	3% Typical at 100% Load (No Input Filter Required)		
STATIC BYPASS INPUT	Configuration	3-Phase, 3-Wire		
	Voltage	480 V ±10%		
	Frequency	60 Hz ±5%		
BATTERY	Type	Lead Acid		
	Ride Through	Application Specific		
	Nominal Voltage	480 Vdc		
	Minimum Voltage	400 Vdc		
	Number of Cells	240		
AC OUTPUT	Configuration	3-Phase, 3-Wire		
	Voltage	480 V		
	Voltage Regulation	±1%		
	Frequency	60 Hz		
	Frequency Regulation	±0.01% in Free Running Mode		
	Power Factor	Unity (Nominal)		
	Power Factor Range	0.7 Lagging to 0.8 Leading (Within Output kW Rating)		
	Voltage THD	2% Maximum THD at 100% linear load. 5% maximum THD at 100% non-linear load.		
	Transient Response	±2% Maximum at 100% Load Step. ±1% Maximum at Loss/Return of AC Power ±5% Maximum at Load Transfer to/from Static Bypass		
	Transient Recovery Time	Less than 20ms		
	Voltage Unbalance	1% Maximum at 100% Unbalanced Load		
	Phase Displacement	1° Maximum at 100% Load		
	Inverter Overload	125% for 1 Minute; 150% for 10 Seconds		
	Bypass Overload	500% for 1 Cycle (with Bypass Available)		
	ENVIRONMENT	Cooling	Forced Air	
		Operating Temperature	32°F to 104°F (0°C to 40°C). Recommended: 68°F to 86°F (20°C to 30°C)	
Non-operating & Storage Ambient		-40°F to 158°F (-20°C to 70°C)		
Relative Humidity		5% – 95% Non-Condensing		
Altitude		0 to 6500 ft. (1981 m) No Derating at 104°F (40°C)		
Location		Indoor (Free From Corrosive Gases and Dust)		
Paint Color		Munsell N1.5 (Black)		
Clearance Required		Top: 24 in. (610 mm); Front: 40 in. (1016 mm); Rear: 0 in. (0 mm); Sides: 0 in. (0 mm) if Sidecars Used, 1 in. (25 mm) if No Sidecars Used.		

G2020 Series UPS



Efficiency Curve - Toshiba G2020 Series Double-Conversion UPS



TOSHIBA POWER ELECTRONICS:

- Uninterruptible Power Systems
- Power Conditioners
- SCiB Rechargeable Battery

TOSHIBA
Leading Innovation >>>

www.toshibaups.com